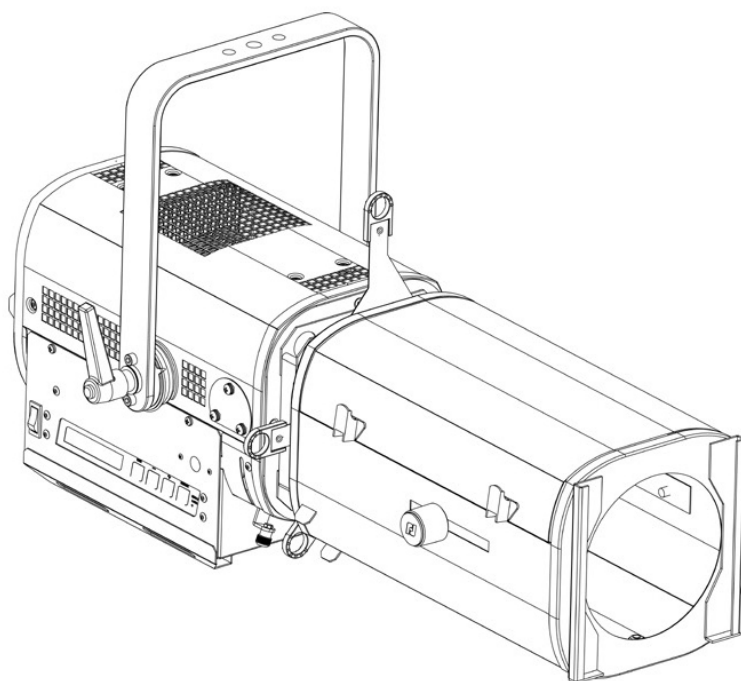


ZEP 640SX

PROFILE SPOT /
PROJECTEUR DE DÉCOUPE

Manual / Manuel



REF	Standard Standard	North American Nord-Américain
28 - 54°	643SX	643CSX
16 - 35°	644SX	644CSX
11 - 26°	641SX	641CSX

150W LED PROFILE SPOT /
PROJECTEUR DE DÉCOUPE LED 150W

Version V1

VALIDATION: 18/05/17

DN41014600-A

Robert Juliat S.A.S. 32, rue de Beaumont, F 60530 Fresnoy-en-Thelle - phone : +33 (0)3 44 26 51 89 - fax : +33 (0)3 44 26 90 79 - info@robertjuliat.fr

www.robertjuliat.com



ROBERT JULIAT

Table of contents :

1	User's instructions.....	1
2	Presentation.....	2
2.1	Functions.....	2
2.2	Identification plate.....	2
2.3	Accessories included.....	3
2.4	Optional accessories.....	3
3	Set-up.....	4
3.1	Mechanics.....	4
3.1.1	Operating positions.....	4
3.1.2	Minimum distance between a flammable material and the lighting unit.....	4
3.1.3	Instructions for use.....	4
3.1.4	Hanging.....	4
3.1.5	Safety cable.....	5
3.2	Electrical.....	5
3.2.1	LED source.....	5
3.2.2	Power.....	5
3.2.3	DATA.....	6
3.3	Accessories.....	8
3.3.1	Front filter holder.....	8
3.3.2	Internal filter holder.....	8
3.3.3	Gobo holder / iris.....	8
3.3.4	Shutters.....	9
4	Operation.....	10
4.1	Light intensity.....	10
4.1.1	Range.....	10
4.1.2	Control.....	10
4.1.3	Parameters.....	10
4.2	Strobe.....	11
4.2.1	Range.....	11
4.2.2	Control.....	11
4.3	Beam size adjustment.....	12
4.3.1	Range.....	12
4.3.2	Control.....	12
4.4	Orientation.....	12
4.4.1	Range.....	12
4.4.2	Control.....	13
4.5	Colour.....	13
4.6	Beam shaping.....	14
4.6.1	Range.....	14
4.6.2	Control.....	14
4.7	Beam rotation.....	15
4.7.1	Range.....	15
4.7.2	Control.....	15
4.8	Gobos.....	16
4.9	Control board.....	17
4.9.1	Display and Controls.....	17
4.9.2	Menus and parameters.....	17
4.9.3	DMX chart.....	17
4.9.4	Reset.....	18
4.9.5	Feedback information.....	18
5	Service.....	18
5.1	Preventive maintenance.....	18
5.1.1	Frequency.....	18
5.1.2	General cleaning.....	18
5.1.3	General visual check.....	18
5.1.4	LED access.....	19
5.1.5	LED source.....	19
5.1.6	Optics.....	19
5.2	Analysis.....	19
5.3	LED reaction according to LED temperature.....	19
5.4	Thermal protection.....	19
5.5	Adjusting the maximum light output level.....	19
5.6	Exploded view / Spare parts list.....	19
6	Troubleshooting.....	20

1 User's instructions

GENERAL INSTRUCTIONS

1. Not for residential use.
2. **These fixtures must only be serviced by a qualified technician.**
3. In addition to the instructions indicated on this page, relevant health and safety requirements of the appropriate EU Directives must be adhered to at all times.
4. This fixture is in compliance with section 17 - Lighting appliance for theatre stages, television, cinema and photograph studios. Standards NF EN 60598-1 and NF EN 60598-2-17.
5. This fixture is rated as IP20, and is for indoor use only.

FIXTURE

6. Ensure fixture is correctly mounted on an appropriate support.
7. Protection screens and lenses must be replaced in the event of any damage, such as cracks or deep scratches, since these might reduce performance.
8. When hung or flown the fixture must be secured by an additional hanging accessory (such as a safety cable or bond) of suitable length.
9. Safety bonds or cables must be securely attached to the back of the fixture and be as short as possible, or rolled up as necessary, to minimise travel distance should the fixture be dislodged.
10. Movable accessories (scroller, etc.) must also be secured with a suitable safety cable or bond at the front of the fixture.
11. The combined weight of both the fixture and the accessories must be considered when choosing the load-bearing capability of safety cable or bond.
12. Do not open lighting fixture when the source is on.
13. **WARNING:** LED source become hot during use. Allow fixture to cool before servicing.
14. Do not tamper with design of fixture nor any of its safety features.
15. Tighten electrical mains cable connections regularly and replace with one of identical specification if damaged.
16. Use only with correct power supply.

VENTILATION

17. Keep well away from flammable material.
18. Not for outdoor use. Do not cover. Do not permit fixture to get wet.
19. To avoid overheating, do not obstruct air vents.
20. Ensure any cooling fans are in correct working order. If fans are not working, turn fixture off immediately and service as necessary.

CLEANING

21. Do not touch LED source with fingers.
22. Clean all optical parts with alcohol-based cleaner.
23. Clean all filters regularly.

POWER SUPPLY

24. Disconnect from the mains before servicing.
25. Mains connection only. Do not connect to "electronic output" such as dimmer.
26. Not for outdoor use. Do not cover.
27. Ensure power supply circuit breakers, always remain accessible.

PLEASE NOTE

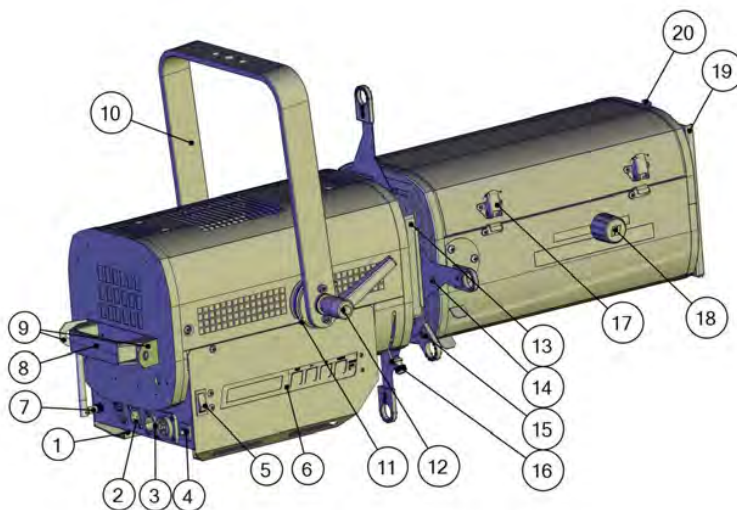
These products have been built to conform to European standards relating to professional lighting equipment. Any modification made to our products will void the manufacturers' warranty.

2 Presentation

2.1 Functions

Functions :

1. Identification plate
2. Data connectors (IN and OUT)
3. Power connectors (IN and OUT)
4. Thermal breaker
5. Power switch
6. Control board
7. Wireless DMX antenna (option)
8. Handle
9. Safety cable attachment point
10. Hanging yoke
11. Tilt index
12. Tilt locking handle
13. Gate: slots for gobo holder and/or iris
14. Shutters
15. Shutter locking system
16. Lens tube rotation locking button
17. Lens tube access
18. Zoom adjustment
19. Front slot for accessories and gel frame holder
20. Front slot locking system

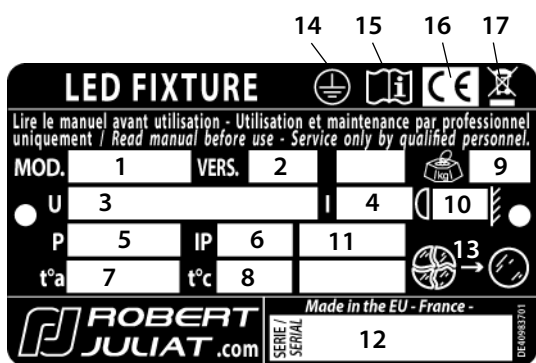


2.2 Identification plate

Units :

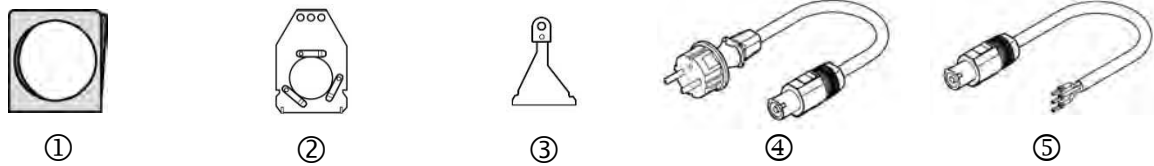
- Dimensions = metre (m) millimetre (mm).
- Weight = kilogram (kg).
- Intensity = Ampere (A).
- Voltage = Volt (V).
- Frequency = Hertz (Hz).
- Temperature = degree Celsius (°C).

Description



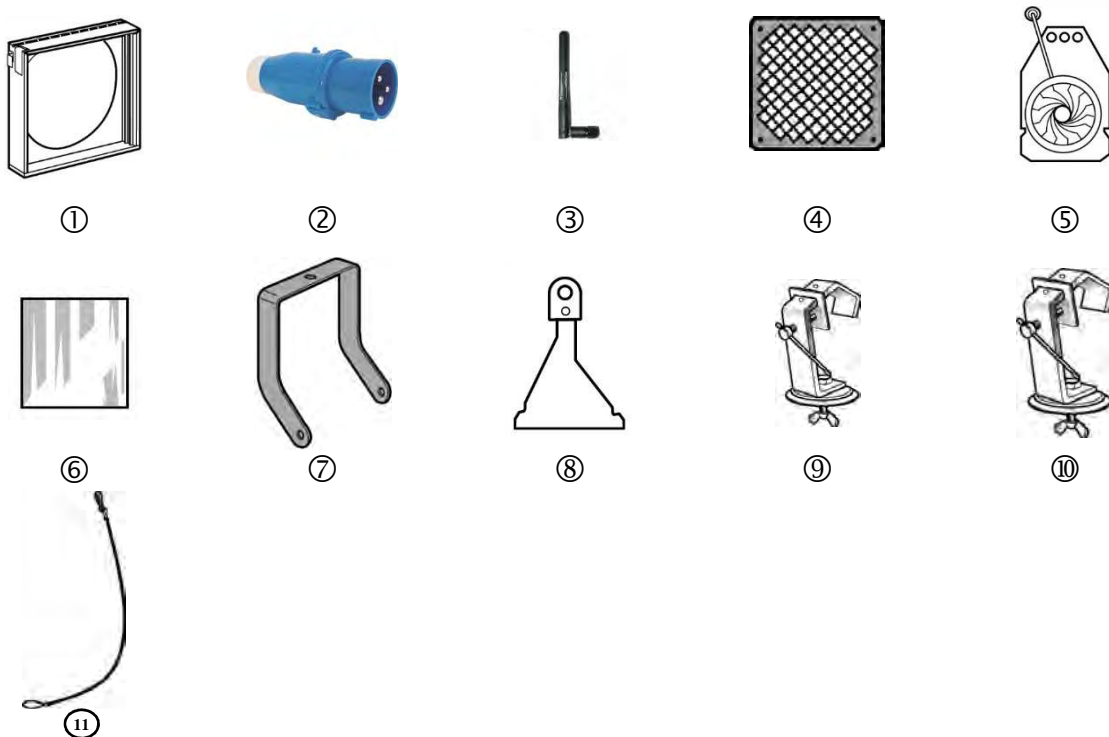
1. MOD.: Model
2. VERS.: Version
3. U : Nominal voltage input (V)
4. I : Nominal intensity (A)
5. P : Maximum power input (W)
6. IP : International Protection Rating
7. t°a : Maximum ambient temperature (°C)
8. t°c : Maximum external temperature of the unit (°C)
9. Net weight (kg)
10. Minimum distance between a flammable material and the lighting unit (m)
11. Colour temperature version :
CW = Cool White
WW = Warm White
12. Serial number
13. Replace broken glass
14. Class 1 product label
15. Read manual first label
16. European conformity label
17. WEEE directive label

2.3 Accessories included



Reference	Description
1	PF500M2 180x180 mm (7.1x7.1 in) metal filter holder
2	SGUX Universal 'A'-size gobo holder (metal, glass, frosted glass)
3	D8 Shutters (x4)
4	Power cable with CEE7/7 type IN connectors (standard version)
5	UL/CSA Power cable without connector (North American version)

2.4 Optional accessories

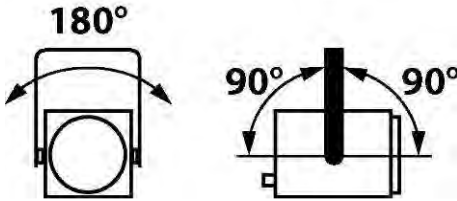


Reference	Description
1	CAV 600 A Double slot front cassette for 180x180mm accessories
	CAV 600 AE Double slot front cassette for 185x185mm accessories
	CAV600 C Double slot front cassette for 191x191mm (7-1/2") accessories
2	PCP1716A IEC60309 6h 16A 2P+T blue (P17) power connector
3	W-DMX W-DMX wireless DMX
4	G500 180x180mm safety grid
5	IWSX755I Drop-in iris (monoplane) with holder
6	VD 120 120x120mm inner frosted glass
7	FCD600 Angled yoke
8	D8 Shutter
9	876 40x10mm hook clamp with 28mm screw for Ø35 to Ø50mm
10	880 40x10mm hook clamp with 28mm screw for Ø50 to Ø63mm
11	CS2 Safety cable (length = 600mm)

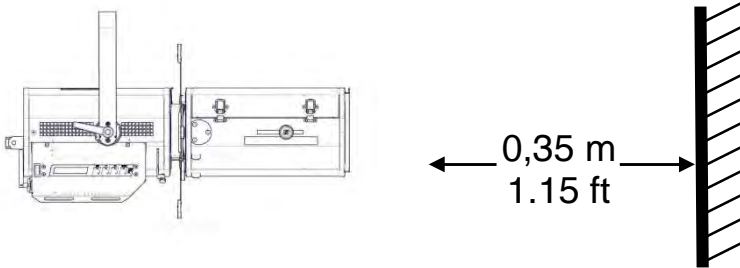
3 Set-up

3.1 Mechanics

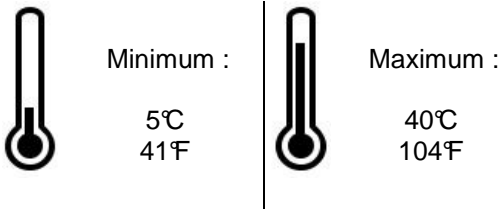
3.1.1 Operating positions



3.1.2 Minimum distance between a flammable material and the lighting unit



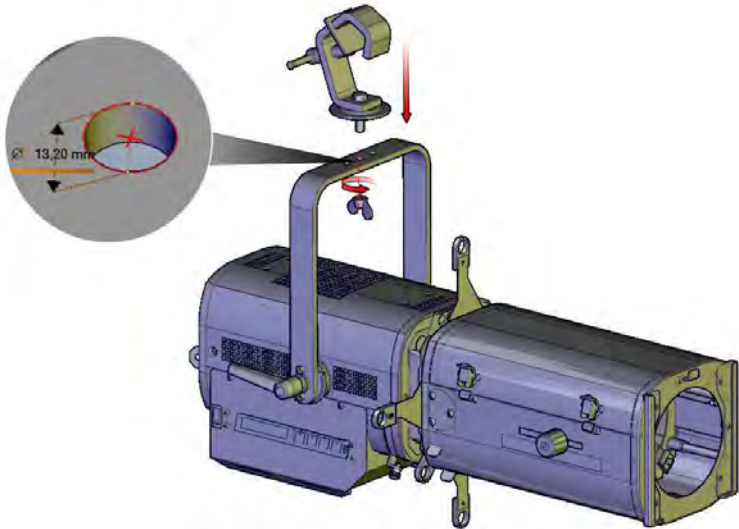
3.1.3 Instructions for use



IP20 – Indoor use only

3.1.4 Hanging

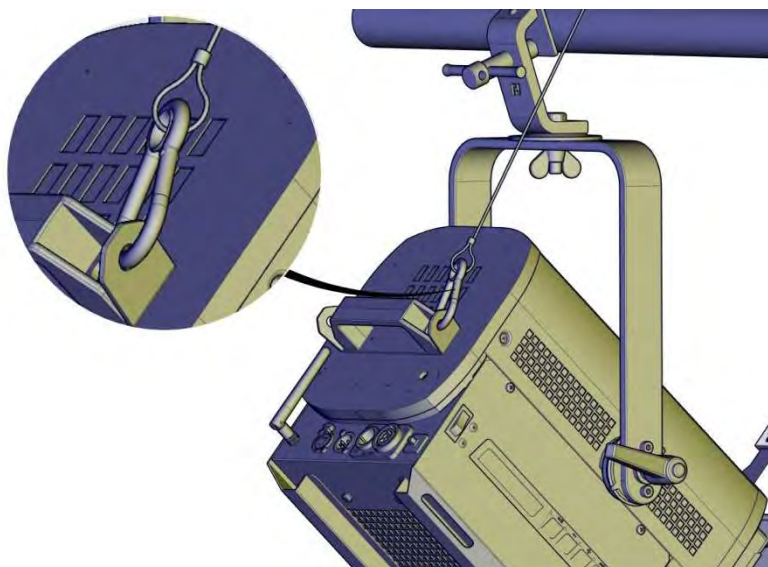
- Ensure fixture is correctly mounted on an appropriate support.



Net weight : 643SX = 15,3 kg (34.7 lbs) / 644SX = 17 kg (37.4 lbs) / 641SX = 17 kg (37.4 lbs)

3.1.5 Safety cable

- When hung or flown the fixture must be secured by an additional hanging accessory (such as a safety bond or cable) of suitable length.
- The combined weight of both the fixture and the accessories must be considered when choosing the load-bearing capability of safety cable or bond.
- Safety cables or bonds must be securely attached to the back of the fixture and be as short as possible, or rolled up as necessary, to minimise travel distance should the fixture be dislodged.



3.2 Electrical


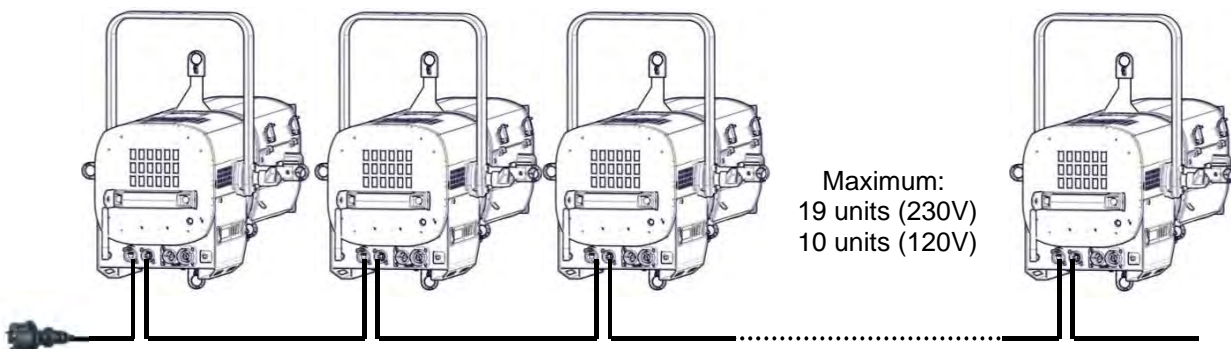
3.2.1 LED source



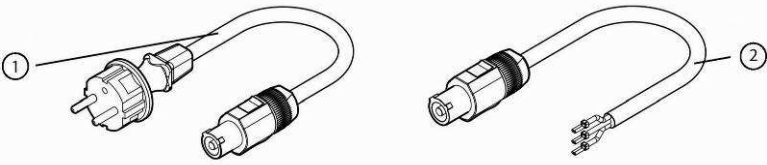
Do not touch the surface of the LED source (no contact with your hands or any tools).

- Do not put compressed air directly on the source
- Contact a certified RJ distributor in case of residuals or other objects locate on the surface of the LED source.


3.2.2 Power

Power supply			
Voltage	Frequency	Input power	Connectors
90 → 264 V	47-63 Hz	0,8 A / 185 W @ 230V 1,5 A / 185 W @ 120V 1,8 A / 185 W @ 90V Max. 2.1A Standby mode: 7 W	Neutrik powerCON TRUE1 ref. NAC3PX (max. 20A)
 <ul style="list-style-type: none"> • Class 1 product. This luminaire must be grounded. • Must be connected directly to AC power. Do not connect to dimmer power. • Automatic power detection. • 4A breaker. • Daisy chain : maximum of 19 units (230V) / 10 units (120V) 			
<p><u>Daisy chain (with delivered power cable) :</u></p>  <p>Maximum: 19 units (230V) 10 units (120V)</p>			

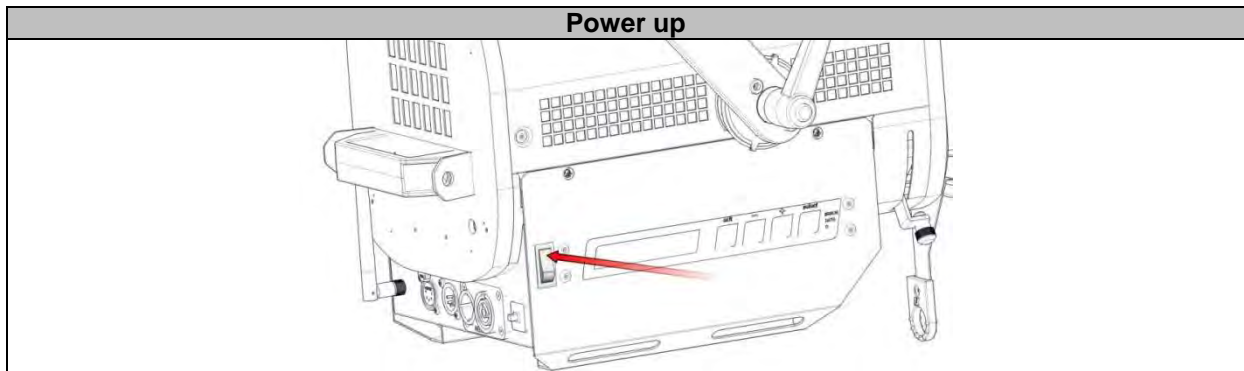
Power cable



Power cable		Connector	Mains plug	Cable type	Cable length	Wiring
1	Standard version	Neutrik PowerCon® NAC3FX	CEE7/7	3G1.5 H07RNF	3 m 9.8 ft	Live: Brown Neutral: Blue Ground : yellow/Green
2	North American version		-	14AWG SJ TYPE (UL/CSA)	1,5 m 4.9 ft	Live: Black Neutral: White Ground : Green



In Out

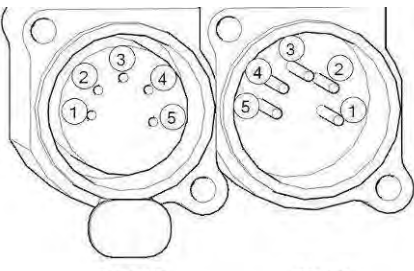


3.2.3 DATA

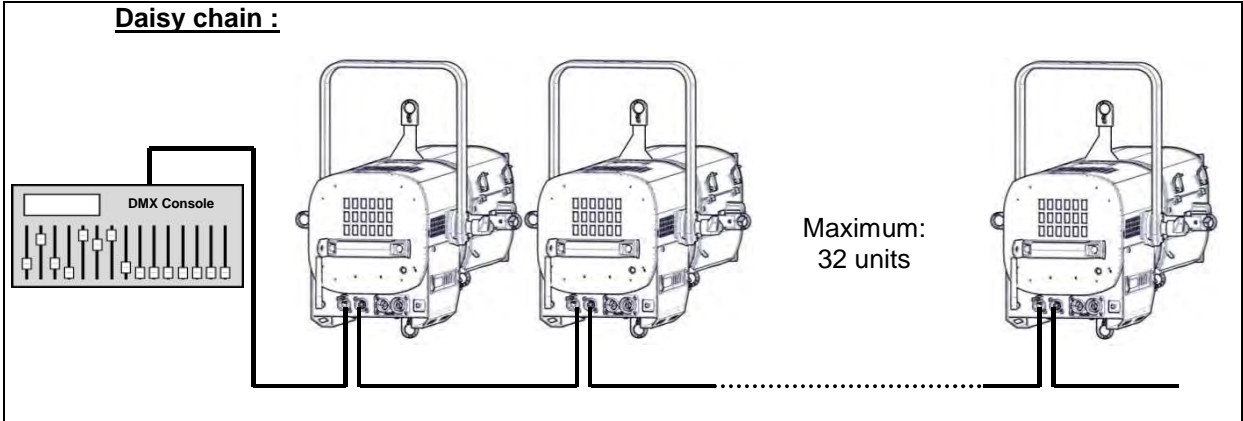
DATA		
Protocol	Input connector	Output connector
USITT DMX 512-A	XLR 5-pin	XLR 5-pin

DATA connectors

PIN #	DMX	Description
1	Shielding	Foil & Braided Shield
2	DMX (-)	1 st conductor of 1 st twisted pair
3	DMX (+)	2 nd conductor of 1 st twisted pair
4	Not used	1 st conductor of 2 nd twisted pair
5	Not used	2 nd conductor of 2 nd twisted pair



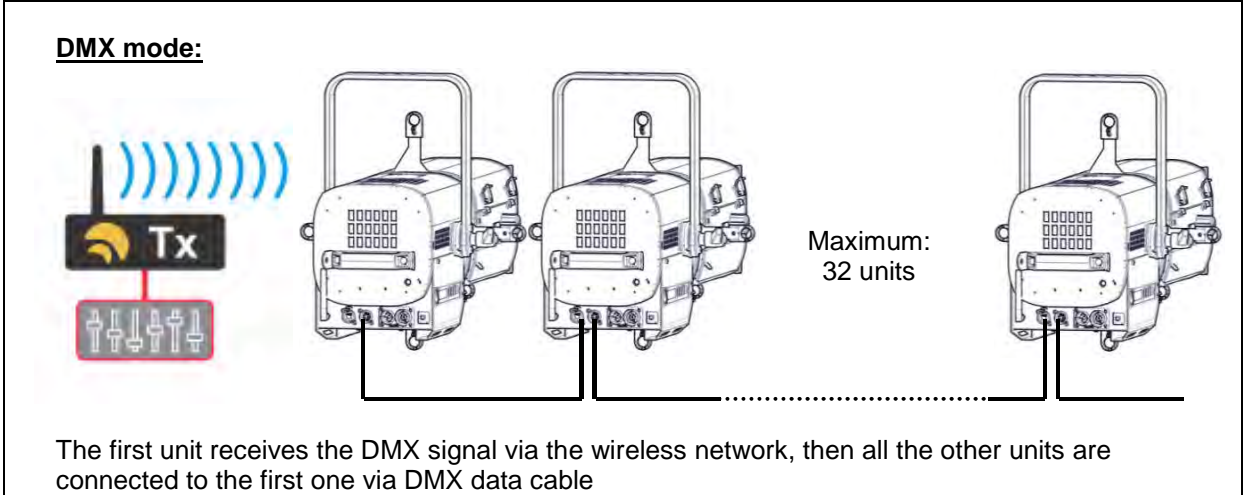
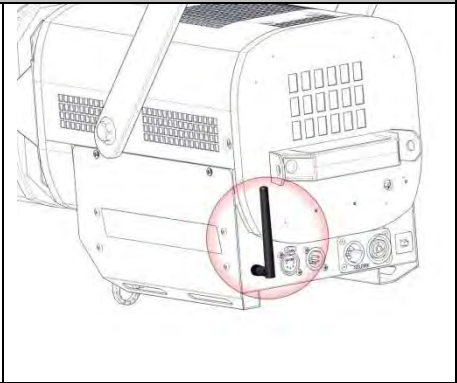
DMX OUT DMX IN



Integrated terminal plug:
If no XLR connector is detected on DMX OUT connector, a 120Ω terminal plug is automatically activated. Additional terminal plug on the last unit is not necessary.

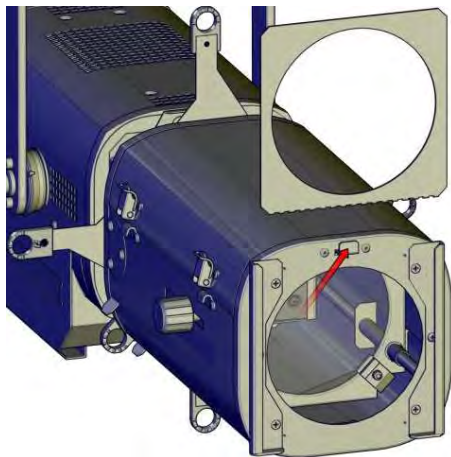
Wireless DMX option

- Protocol: Wireless Solution W-DMX™
- Refer to the OEM User's manual for general recommendations and use of the transmitter : <http://www.wirelessdmx.com>
- The antenna must be clearly visible from the transmitter
- Refer to RJ-LED Software manual for activation procedure (page EN-17)
- **Do not connect a DMX IN data cable in case of wireless DMX use**
- In case of protocol errors, the wireless DMX is automatically deactivated. To activate the wireless DMX again, disconnect the DMX IN data cable, and then switch the unit off and on.

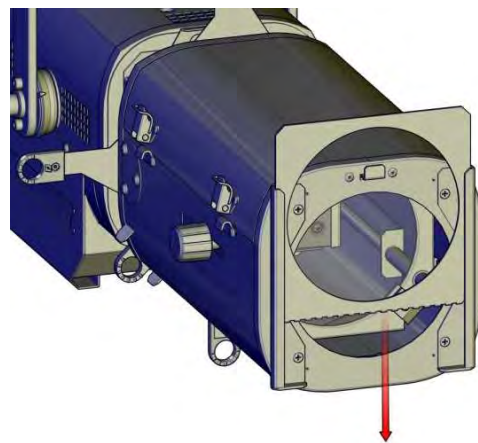


3.3 Accessories

3.3.1 Front filter holder

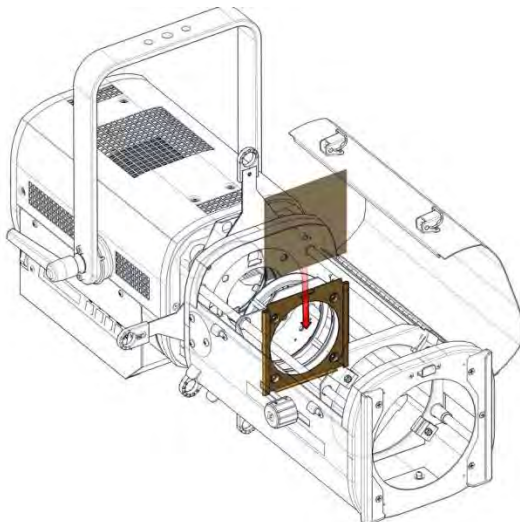


Step 1

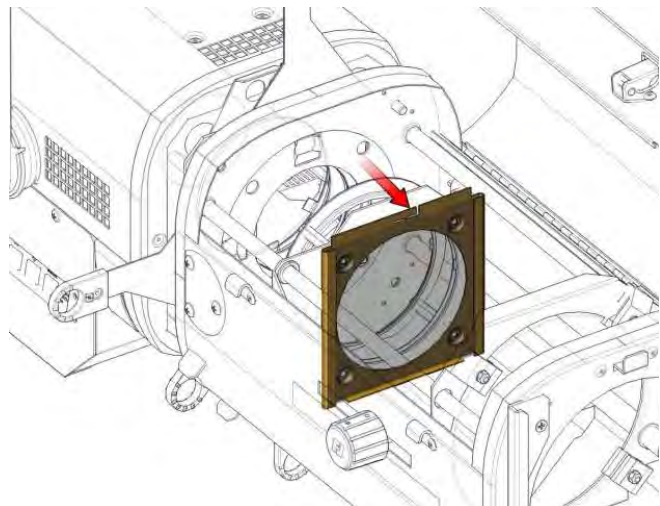


Step 2

3.3.2 Internal filter holder

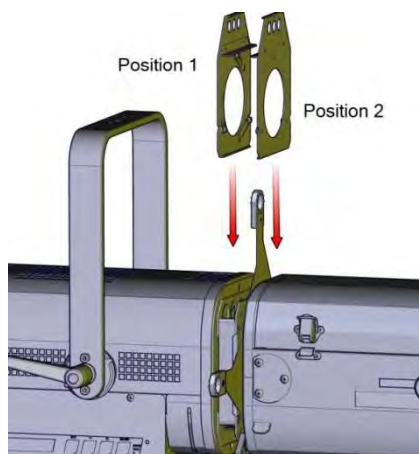


Step 1

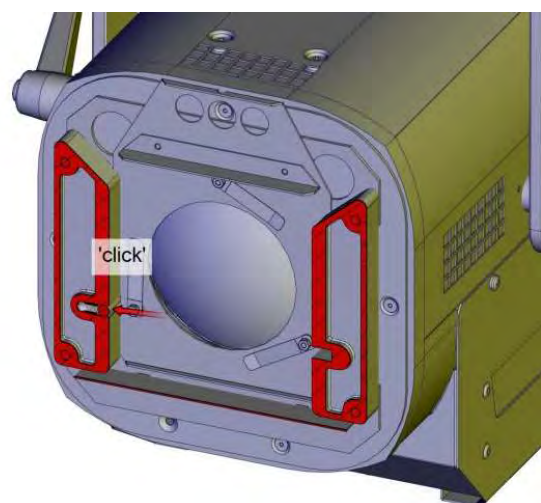


Step 2

3.3.3 Gobo holder / iris

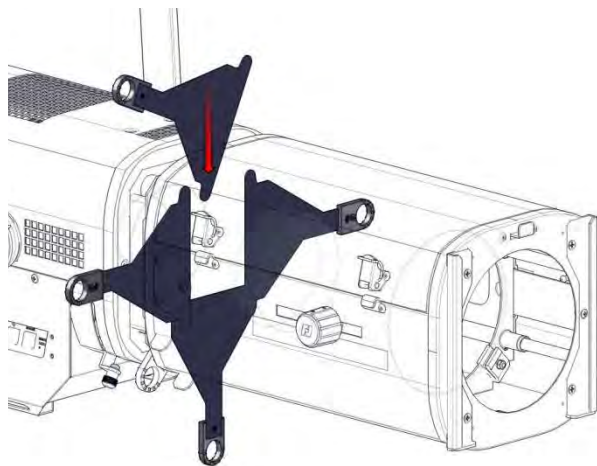


Step 1

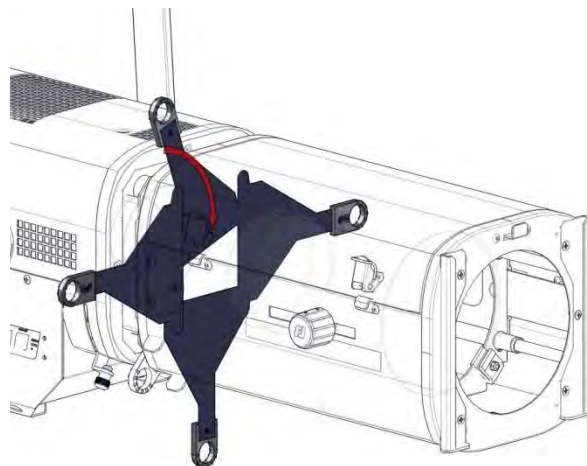


Step 2

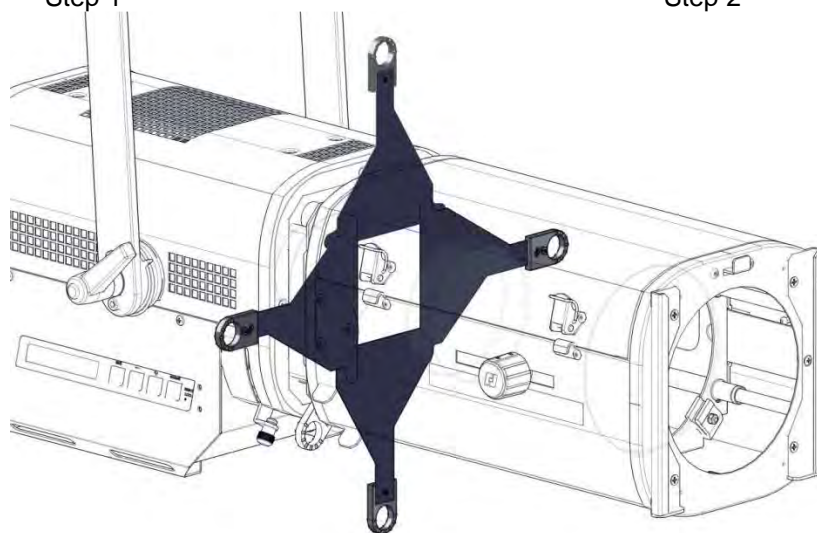
3.3.4 Shutters



Step 1



Step 2



Step 3

4 Operation

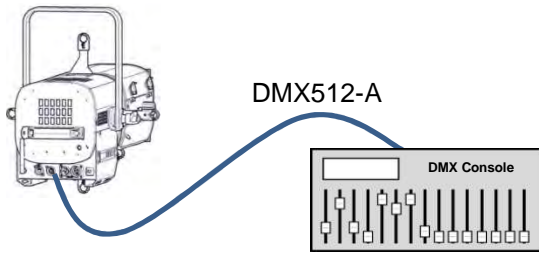
4.1 Light intensity

4.1.1 Range

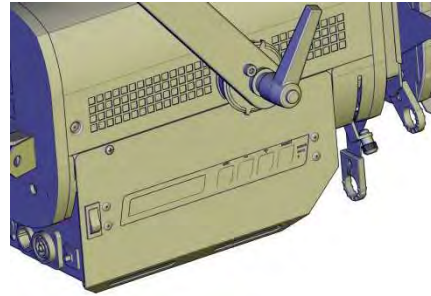


4.1.2 Control

Remotely with DMX512-A protocol



Locally



HTP mode (Highest Takes Precedence):
 Light output is the highest value of DMX512 command or local control

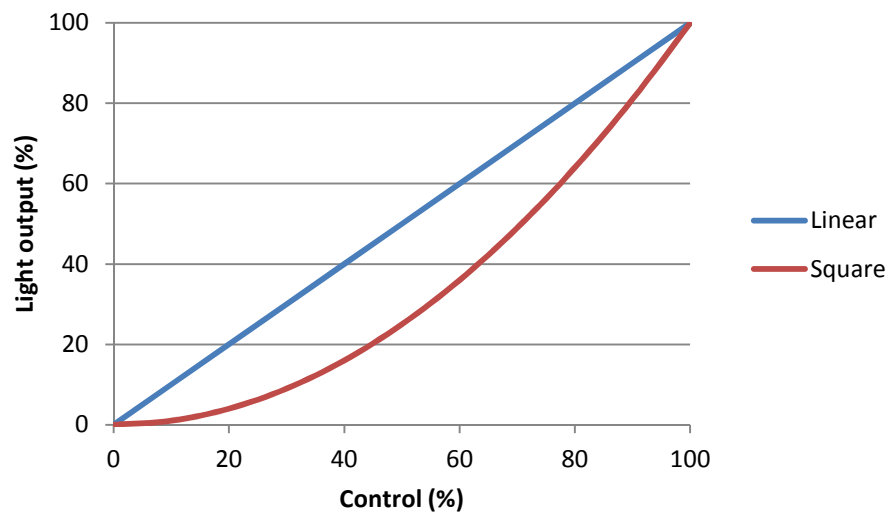
Focus mode : when standby screen displayed,
 Push *Exit* → Light output = 100% for 1 minute
 2x times *Exit* → Light output = 0%

4.1.3 Parameters

- Resolution:

Mode	Resolution
8 bits	255 steps – 1 DMX channel
16 bits	65 535 steps – 2 DMX channels

- Curve: Linear / Square



- Smoothing :

Mode	Smoothing
<i>Slow</i>	Slow transition between 2 levels – equivalent to 1000W filament
<i>Fast</i>	Fast transition between 2 levels – equivalent to 600W filament
<i>Without</i>	Deactivated – Very fast transitions

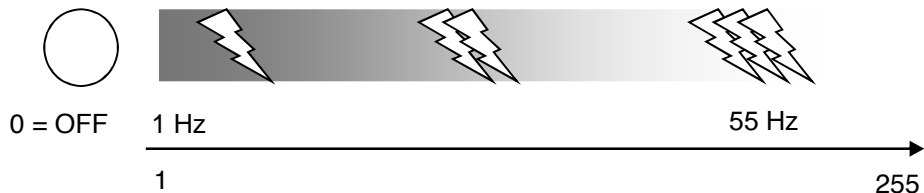
- Master mode (*MASTER CONTROL*):

DMX		Local	Light output
8/16bits	Master		
0 → 100%	100%	0%	0 → 100%
0 → 100%	50%	0%	0 → 50%
0%	100%	0 → 100%	0 → 100%
0%	50%	0 → 100%	0 → 50%
50%	100%	0 → 100%	50 → 100%
30%	80%	0 → 100%	30 → 80%

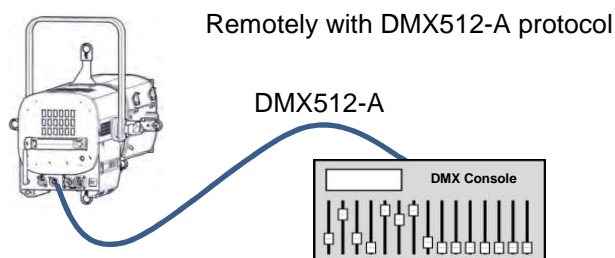
- Mode required when simultaneous remote and local control are necessary (example : followspot)

4.2 Strobe

4.2.1 Range

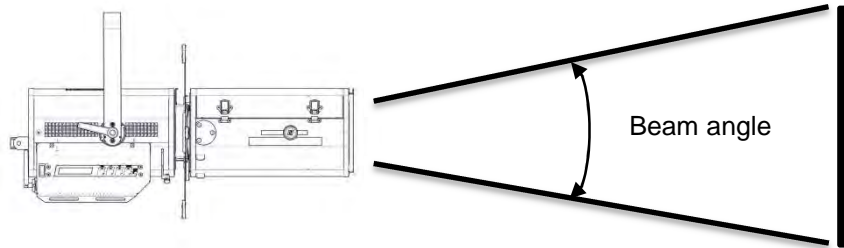


4.2.2 Control



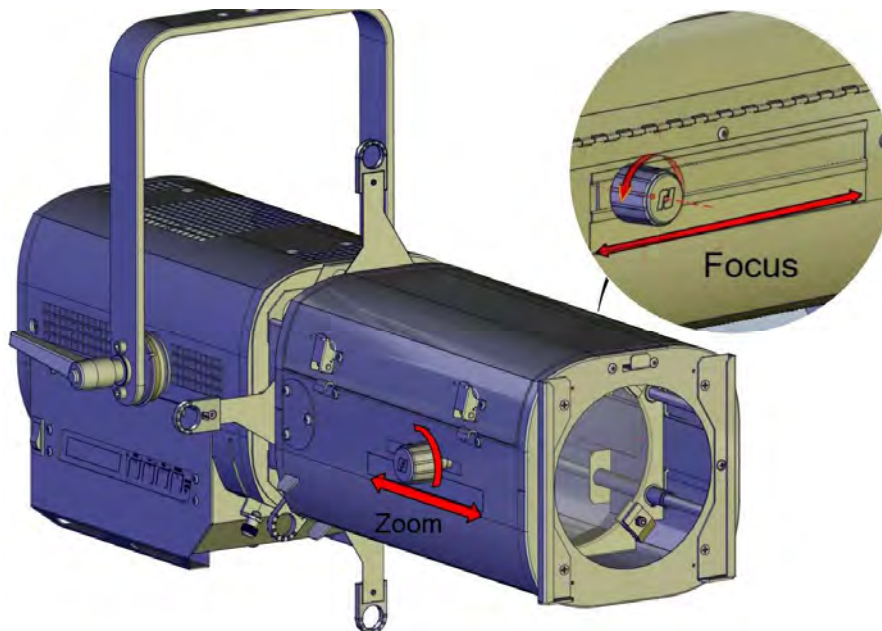
4.3 Beam size adjustment

4.3.1 Range



Model	Minimum beam	Maximum beam
643SX / CSX	28°	54°
644SX / CSX	16°	35°
641SX / CSX	11°	26°

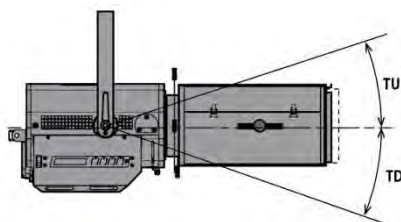
4.3.2 Control



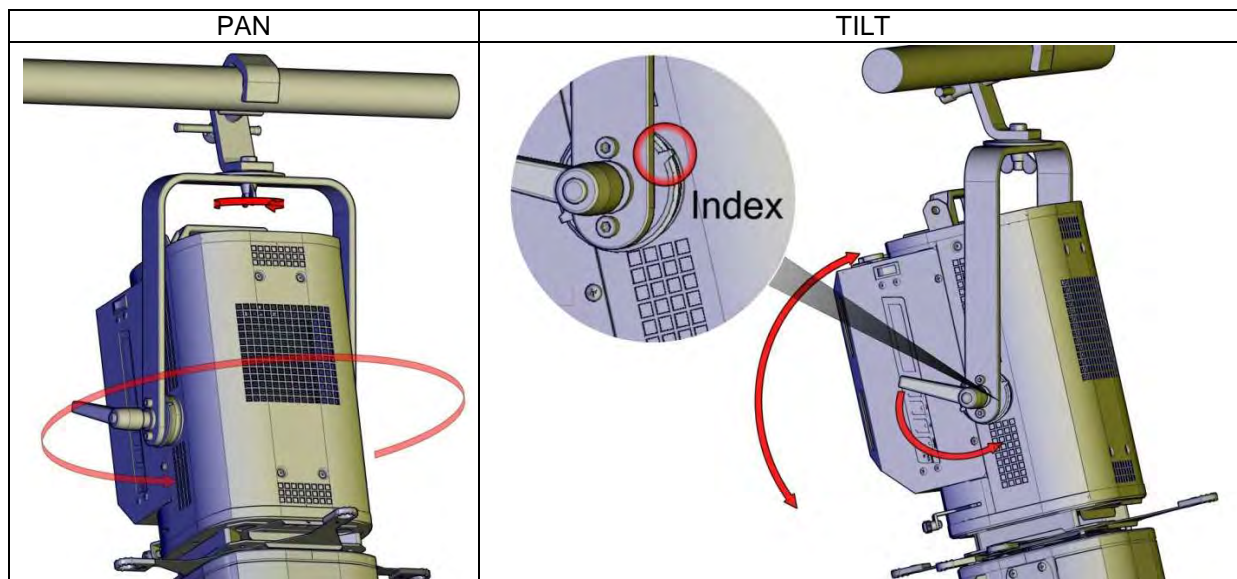
4.4 Orientation

4.4.1 Range

Function	Range
PAN	0 → 360°
TILT	TU = 0 → 60° TD = 0 → 90°



4.4.2 Control



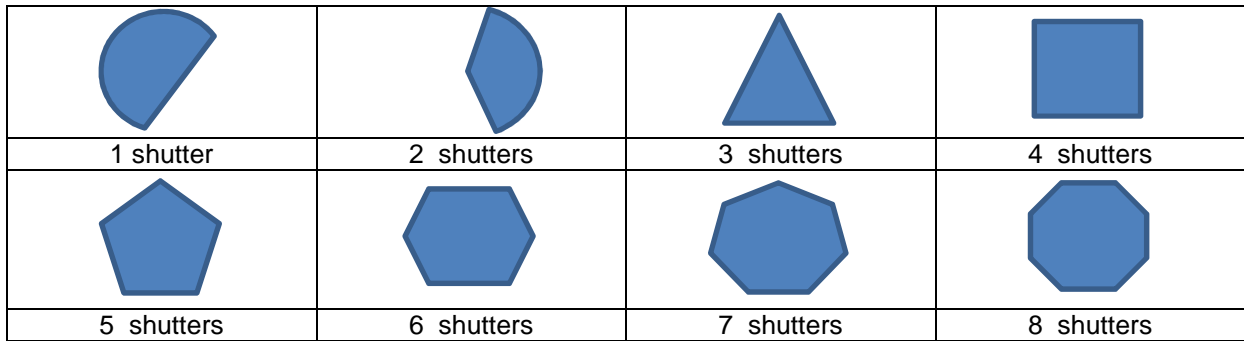
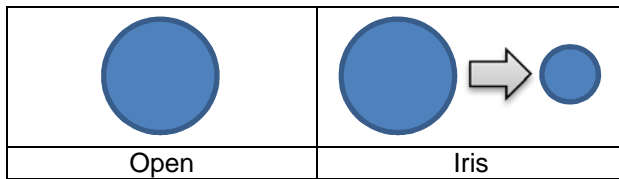
4.5 Colour

- Fixed colour:

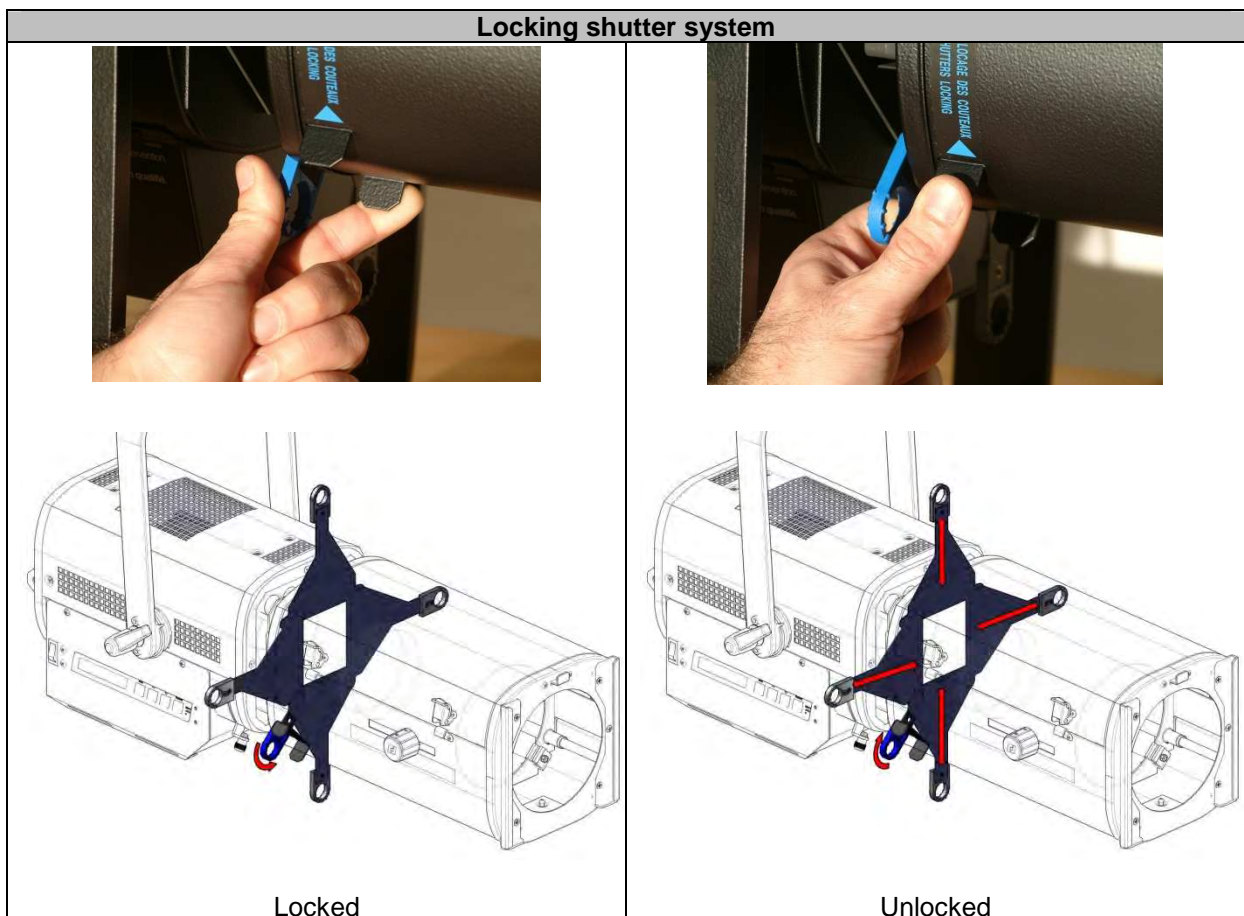
<p>Location</p>		
	<p>3. Front filter holder</p>	<p>4. Internal filter holder</p>
<p>Type</p>	<p>Standard coloured gel filter</p>	<p>Frosted or dichroic glass Standard coloured gel filter</p>
<p>Dimensions</p>		
<p>Installation</p>	<p>See 3.3.1</p>	

4.6 Beam shaping

4.6.1 Range





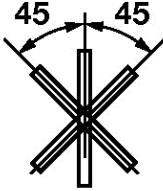
4.6.2 Control



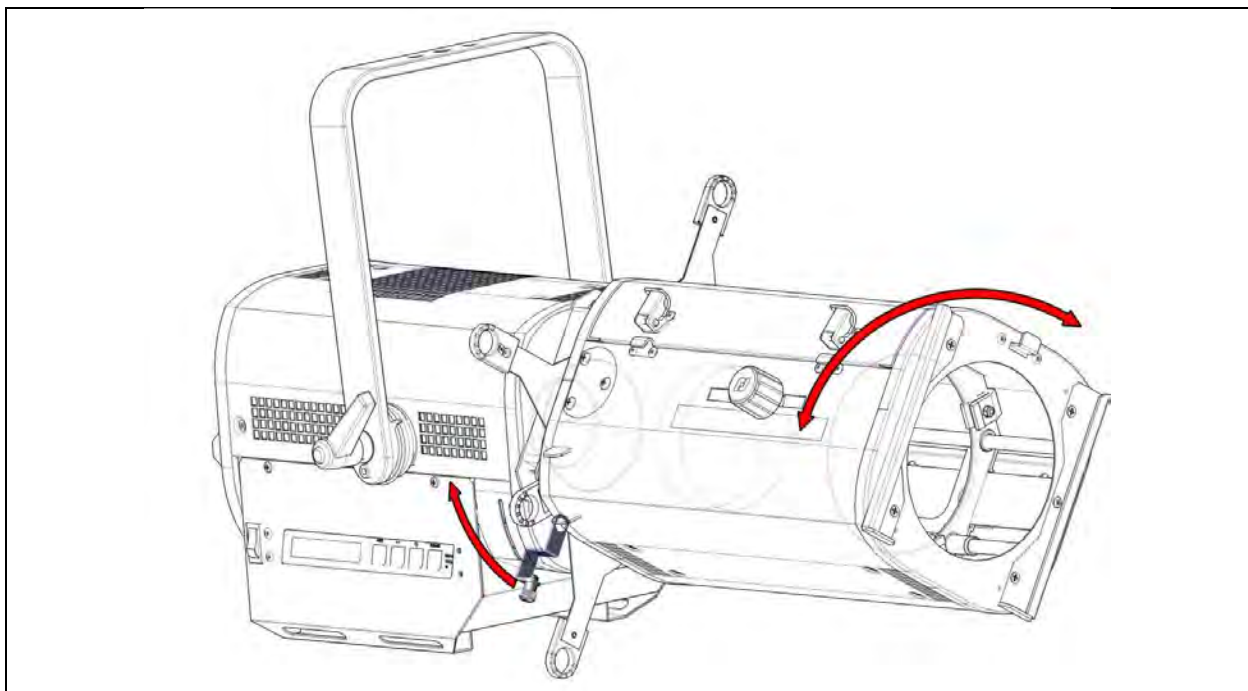
See 3.3 Accessories for Gobo, Iris and additional shutters installation

4.7 Beam rotation

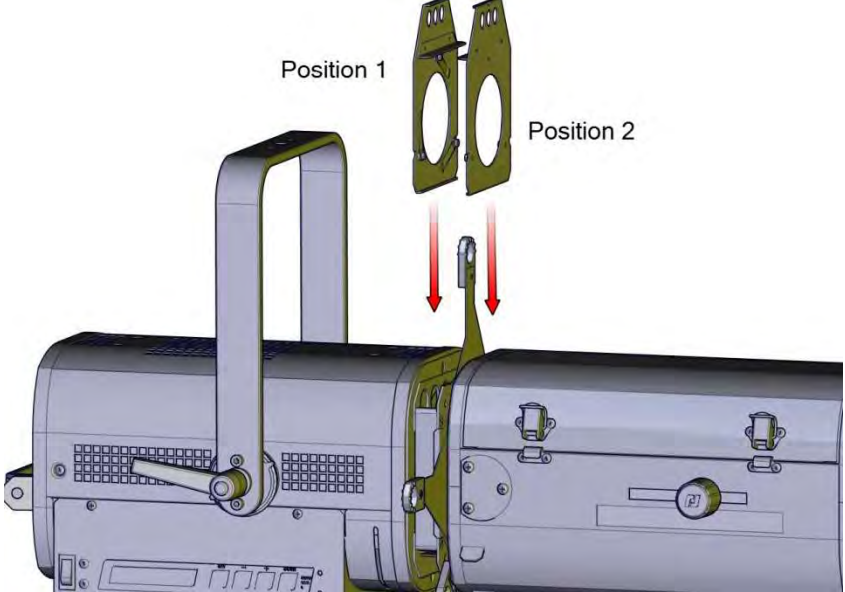
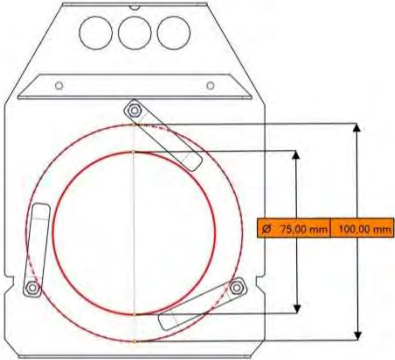
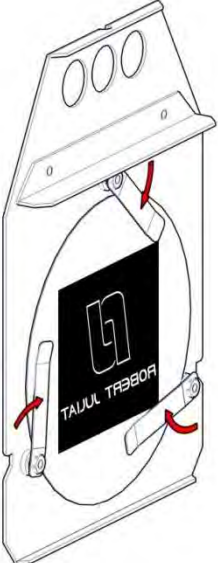
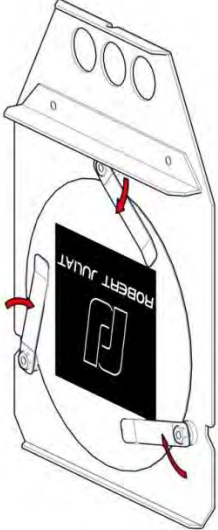
4.7.1 Range

Function		Range
		
Gobo	shutters	

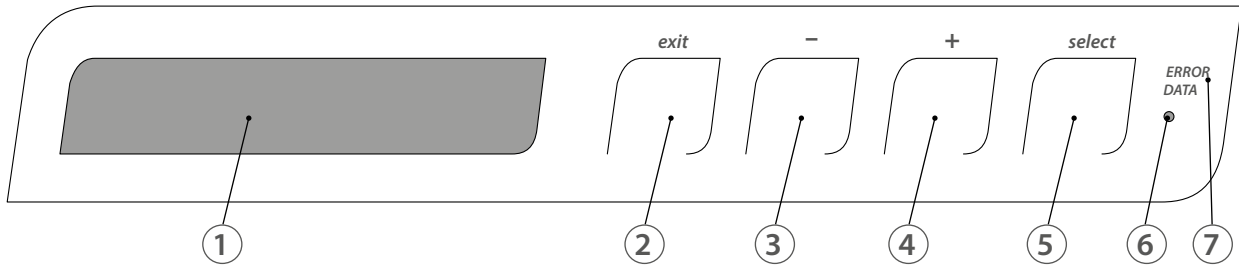
4.7.2 Control



4.8 Gobos

<p>Location</p>		
<p>Type</p>	<p>Metal / Glass / Plastic</p>	
<p>Dimensions</p>	<p>A-size</p> 	
<p>Installation</p>	<p>Position 1</p> 	<p>Position 2</p> 

4.9.1 Display and Controls



Function	
1	Display
2	Exit the current menu option and/or go back
3	Scrolls through menus and/or Decrease blinking data value
4	Scrolls through menus and/or Increase blinking data value
5	Enter the current menu option and/or valid
6	Hard CPU reset
7	DMX and system LED feedback

4.9.2 Menus and parameters

Please scan this QR-Code for the software menu or go to : www.robertjuliat.com/productSearch.html to find the latest version.



4.9.3 DMX chart

Mode	Theatre	Studio	Followspot	Direct DMX (variable white)
DMX ch.				
1	Dimmer (8 bit)	Dimmer Coarse (8 bit)	Dimmer Coarse (8 bit)	WW Coarse (8 bit)
2		Dimmer Fine (16 bit)	Dimmer Fine (16 bit)	WW Fine (16 bit)
3		CCT 0 → 255 : WW → CW	CCT 0 → 255 : WW → CW	CW Coarse (8 bit)
4		Strobe 0 : OFF ; 1 → 255 : SLOW → FAST	Strobe 0 : OFF ; 1 → 255 : SLOW → FAST	CW Fine (16 bit)
5			Master 0 → 255 : 0 → 100% (FULL)	Strobe 0 : OFF ; 1 → 255 : SLOW → FAST

4.9.4 Reset

- Reset to default settings:
Menu: *Fixture Reset* → press *Select* → *Yes* → press *Select* to validate

4.9.5 Feedback information

- DMX and system LED feedback (7):
 - > Green= DMX512 frame detected
 - > Red = Problem on DMX512 frame and/or system default – details available in the fixture status
- If DMX512 data lost, the following message is displayed :
“Push select to reset DMX values”
 The last received DMX values are stored but it is possible to inactivate the current values by pressing the Select key (as well as the Master function) in order to get a total control of the fixture locally. When a DMX signal is detected, the DMX control is active again.
- ¥ signal indicates a wireless DMX

Signal	Information
Switched off – no symbol	The fixture is not paired with a transmitter
Slow intermittent display	The fixture is paired with a transmitter but the DMX signal is not detected
Continuous display	The fixture is paired with a transmitter and the DMX signal is detected
Rapid intermittent display	Lost connection with the transmitter or in connection with the transmitter

5 Service

5.1 Preventive maintenance

5.1.1 Frequency

General maintenance should be performed at least once a year or more frequently if the equipment is operated in adverse conditions (smoke, heat, humidity, touring, etc.).

5.1.2 General cleaning

Remove dust from the unit (air vents, printed circuit boards, etc.).

During cleaning:



- LED is protected by a safety glass to avoid any contact. DO NOT spray directly onto the glass.
- Fan blades must be locked.

See 5.1.4 LED access for cleaning access to LED and fan.

5.1.3 General visual check

- No trace of heat.
- No loose contacts.
- No missing parts.
- Tighten mechanical assemblies (screws, bolts and nuts, ground connections, etc.).

5.1.4 LED access

- Prior to any intervention, power supply disconnection is compulsory. Power connectors are exposed live items.
- The compartment is held by 4 screws.
- The compartment must be put in and out in a vertical position, avoiding contact with the protection glass and its power supply connector.
- The braided earth wire must be disconnected.

5.1.5 LED source



- **Do not touch the surface of the LED source (no contact with your hands or any tools).**
- **Do not put compressed air directly on the source.**
- **Contact a certified RJ distributor in case of residuals or other objects located on the surface of the LED source.**

5.1.6 Optics

The cleaning of optical parts (lenses) shall be carried out with solutions containing alcohol.

5.2 Analysis

If there is still a problem after the troubleshooting procedures (see part 6.), contact RJ distributor with the following information:

- Model, version and serial number of the product.
- Software version (available in the fixture status -> Version)
- Description of the problem.

5.3 LED reaction according to LED temperature

LED temperature	Fan
5°C → 65°C	Fan rotation at minimum level
65°C → 75°C	Fan rotation increases progressively
75°C → 90°C	Fan at maximum speed LED intensity dims to zero output (overheating protection) DMX and system LED feedback (7) is red

5.4 Thermal protection

In case of thermal protection start ☺:

- Remove the LED compartment (See 5.1.4).
- Control possible overheating indications.
- Reassemble the LED compartment.
- Reset the thermal protection by pressing the button.

5.5 Adjusting the maximum light output level

The maximum intensity level of the LED source can be adjusted through the fixture setup in order to have a consistent fixture fleet. The dimming level is then recalculated depending on the limitation.

5.6 Exploded view / Spare parts list

→ Available on www.robertjuliati.com

6 Troubleshooting

SYMPTOMS		POSSIBLE REASONS	SOLUTIONS	
Display OFF	Display switches on when button is pressed	Display auto off mode activated	Check the AUTO-OFF display in the fixture setup	
	Display still off when button is pressed	No power	Check : <ul style="list-style-type: none"> • power supply • thermal protection • the power supply connector must be properly interlocked 	
System and data display ⑦ switched on in red		Problem with the DMX512 received signal and/or system default	Failure details are available in the fixture setup	
The unit cannot be controlled via DMX (inactivated wireless DMX)	Data display ⑦ switched on in red	DMX protocol problem	Check data signal	The received data protocol can be checked in the DMX setup
		Data cabling problem	Check cabling and data connectors	
	Data display ⑦ switched on in green	DMX address	Check the DMX address	
		The strobe is active and the channel value is void	The value must be at 0 in order to have the light intensity dimmed	
When using several units, dimming is not synchronized		Different <i>Resolution</i>	All the units must have the same mode	
		Different <i>Smoothing</i>		
		Different <i>Dimming curve</i>		
Light switches on when powered on		Manual value is operating when DMX is not connected	<i>Local values</i> must be at zero	
Light switches on when using the control board		Use of the Focus mode	See 4.1.2	
Strobe function doesn't work		Strobe function inactive	Check that the selected mode allows the strobe function	
		Strobe function active	Control channel must be higher than 0	

Sommaire :

1	Instructions d'utilisation	1
2	Présentation	2
2.1	Fonctions	2
2.2	Plaque d'identification	2
2.3	Accessoires inclus	3
2.4	Accessoires optionnels	3
3	Installation	4
3.1	Mécanique	4
3.1.1	Positions d'utilisation	4
3.1.2	Distance minimale entre l'appareil et une matière inflammable	4
3.1.3	Conditions d'utilisation	4
3.1.4	Suspension	4
3.1.5	Câble de sécurité	5
3.2	Electrique.....	5
3.2.1	Source LED	5
3.2.2	Alimentation.....	5
3.2.3	DATA	6
3.3	Accessoires	8
3.3.1	Porte-filtre avant	8
3.3.2	Porte-filtre interieur.....	8
3.3.3	Porte-gobo / iris.....	8
3.3.4	Couteaux	9
4	Opération	10
4.1	Intensité lumineuse	10
4.1.1	Etendue	10
4.1.2	Contrôle	10
4.1.3	Paramètres	10
4.2	Stroboscope	11
4.2.1	Etendue	11
4.2.2	Contrôle	11
4.3	Ajustement de la taille du faisceau.....	12
4.3.1	Etendue	12
4.3.2	Contrôle	12
4.4	Orientation.....	12
4.4.1	Etendue	12
4.4.2	Contrôle	13
4.5	Couleur.....	13
4.6	Contrôle de la forme du faisceau	14
4.6.1	Etendue	14
4.6.2	Contrôle	14
4.7	Rotation de l'image	15
4.7.1	Etendue	15
4.7.2	Contrôle	15
4.8	Gobos.....	16
4.9	Panneau de contrôle.....	17
4.9.1	Afficheur et touches	17
4.9.2	Menus et paramètres	17
4.9.3	Charte DMX	17
4.9.4	Reset	18
4.9.5	Retour information	18
5	Maintenance.....	18
5.1	Maintenance préventive.....	18
5.1.1	Fréquence.....	18
5.1.2	Nettoyage général.....	18
5.1.3	Vérification visuelle générale.....	18
5.1.4	Démontage de la trappe LED.....	18
5.1.5	Source LED	19
5.1.6	Optique	19
5.2	Analyse.....	19
5.3	Réaction de la source LED suivant sa température.....	19
5.4	Protection thermique.....	19
5.5	Réglage du niveau maximal de sortie	19
5.6	Nomenclature / Pièces détachées.....	19
6	Dépannage	20

1 Instructions d'utilisation

CONSIGNES GÉNÉRALES

1. Impropre à l'usage domestique.
2. **Matériel professionnel : intervention par technicien qualifié uniquement.**
3. Outre les consignes d'utilisation figurant dans la présente notice, vous devrez respecter les prescriptions générales de sécurité et de prévention des accidents édictées par le législateur.
4. L'appareil auquel est attachée cette notice rentre dans la section 17 - Luminaires pour éclairage de scènes de théâtre, des studios de télévision, de cinéma et de photographie de la norme t NF EN 60598-2.
5. Ces appareils sont considérés IP20 et réservés à une utilisation intérieure.

PROJECTEUR

6. Veiller à ce que le projecteur soit monté avec un support approprié.
7. Les écrans de protection ou les lentilles doivent être remplacés s'ils sont visiblement endommagés au point que leur efficacité en soit diminuée, par exemple par des fêlures ou des rayures profondes.
8. En position suspendue (crochet, boulon...), l'appareil doit obligatoirement être assuré par une suspension auxiliaire (élingue, chaîne...) convenablement dimensionnée et ancrée à l'arrière de l'appareil. La liaison devra être effectuée au plus court, au besoin avec plusieurs tours si la longueur de l'élingue ou de la chaîne le nécessite.
9. Les accessoires amovibles (changeur de couleurs...) doivent également être assurés par une élingue de taille appropriée, ancrée à l'avant de l'appareil. Tenir compte de leur poids pour la charge d'accrochage.
10. Ne pas ouvrir l'appareil sous tension.
11. Source LED et supports chauds. Attendre que l'appareil soit froid avant toute intervention.
12. Ne pas modifier la sécurité.
13. Resserrer régulièrement les connexions et contrôler l'état des câbles. Si le câble est détérioré, le remplacer par un câble identique.
14. Utiliser l'appareillage d'alimentation approprié.

VENTILATION

15. Ne pas placer le projecteur à proximité de matière inflammable.
16. Ne pas utiliser à l'extérieur. Ne pas couvrir.
17. Pour éviter toute surchauffe de l'appareil, ne jamais boucher les passages d'air.
18. Si l'appareil comporte un ou plusieurs ventilateurs, vérifier qu'ils fonctionnent bien. Si un dysfonctionnement apparaît à ce niveau, éteindre immédiatement le projecteur et effectuer les contrôles nécessaires.

NETTOYAGE

19. Ne pas toucher la source LED.
20. Nettoyer les lentilles avec de l'alcool.
21. Dépoussiérer régulièrement les filtres.

ALIMENTATION

22. Isoler électriquement avant toute intervention.
23. Raccordement direct secteur. Ne pas raccorder sur une sortie "électronique" (gradateur, relais statique...)
24. Ne pas utiliser à l'extérieur, ne pas couvrir.
25. Contrôler la tension secteur.

REMARQUE

Appareils réalisés en conformité avec les directives européennes de normalisation appliquées au matériel d'éclairage professionnel. Toute modification du produit dégage la responsabilité du constructeur.

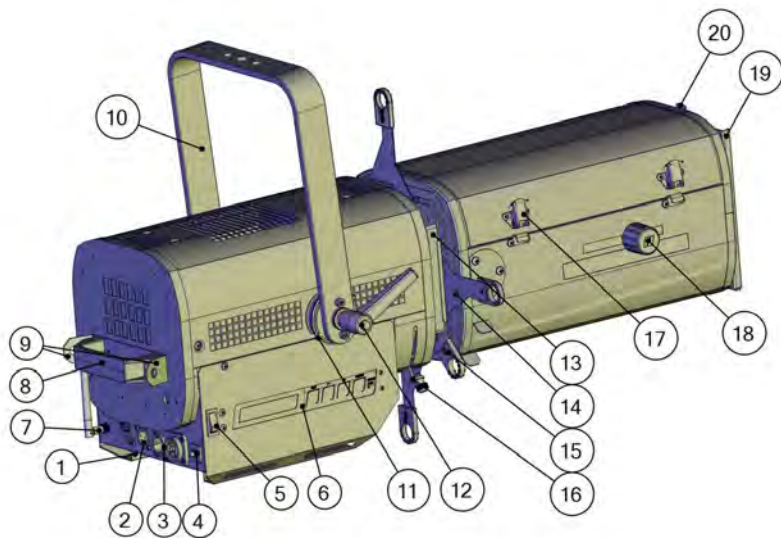
2 Présentation



2.1 Fonctions

Fonctions :

1. Plaque d'identification
2. Connecteurs DATA (entrée et sortie)
3. Connecteurs d'alimentation (entrée et sortie)
4. Disjoncteur thermique
5. Interrupteur de mise sous tension
6. Ecran de contrôle et paramétrages
7. Antenne DMX sans fil (option)
8. Poignée
9. Points d'élingage
10. Lyre de suspension
11. Index de tilt
12. Poignée verrouillage de la lyre
13. Fenêtre : glissières pour porte gobo ou iris
14. Couteaux
15. Blocage couteaux
16. Verrouillage rotation zoom
17. Accès zoom
18. Réglage zoom
19. Porte filtre avant pour accessoire et filtre couleur
20. Verrouillage porte-filtre

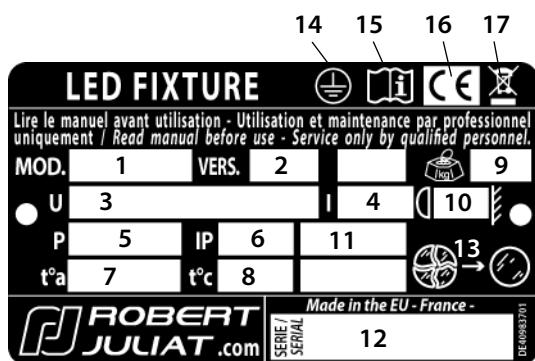


2.2 Plaque d'identification

Unités utilisées :

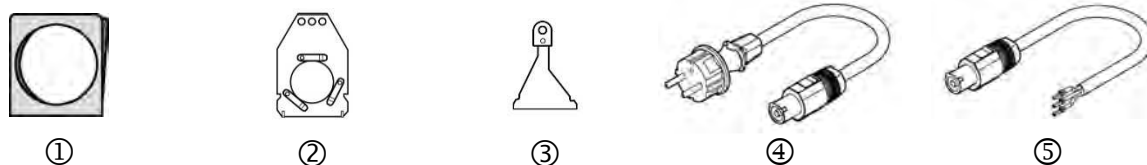
- Dimensions = mètre (m) millimètre (mm).
- Poids = kilogramme (kg).
- Intensité = Ampère (A)
- Tension = Volt (V).
- Fréquence = Hertz (Hz).
- Température = degré Celsius (°C)

Description



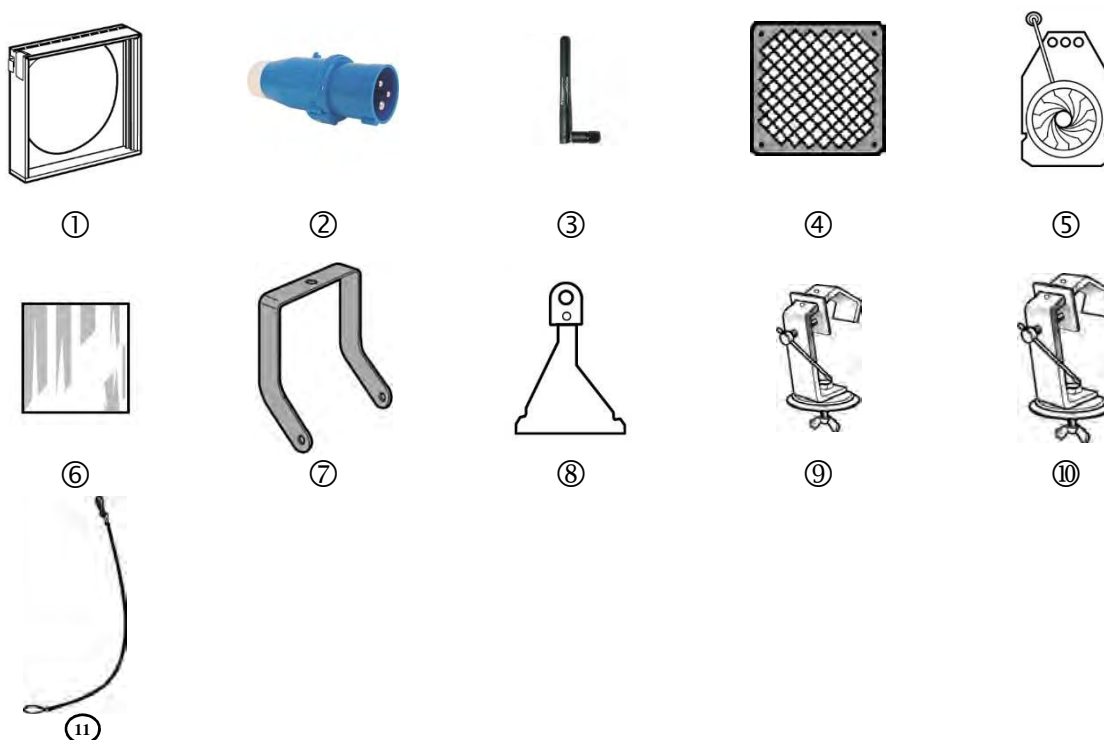
1. MOD. : modèle de l'appareil
2. VERS. : Version de l'appareil
3. U : Tension nominale (V)
4. I : Intensité nominale (A)
5. P : Puissance maximum (W)
6. IP : Indice de protection international
7. t°a : Température maximale ambiante (°C)
8. t°c : Température maximale extérieure de la carrosserie(°C)
9. Net weight (kg)
10. Distance minimale d'une matière inflammable par rapport à l'appareil (m)
11. Version température de l'appareil :
CW = Blanc Froid
WW = Blanc Chaud
12. Numéro de série
13. Replace broken glass
14. Produit de classe 1
15. Lire le manuel
16. Conformité européenne
17. Marquage directive DEEE

2.3 Accessoires inclus



Référence	Description	
1	PF500M2	Porte-filtre métal 180x180 mm (7.1x7.1 in)
2	SGUX	Porte-gobo universel (métal, verre, dépoli) taille "A"
3	D8	Couteaux (x4)
4		Cordon d'alimentation avec fiche CEE7/7 (version standard)
5		Cordon d'alimentation UL/CSA sans fiche (version Nord-américaine)

2.4 Accessoires optionnels

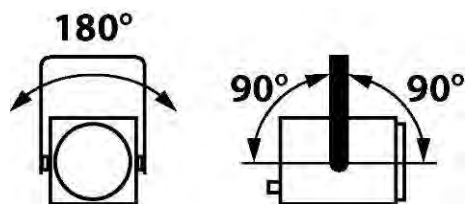


Référence	Description	
1	CAV 600 A	Cassette avant à double-glissière pour accessoires 180x180mm
	CAV 600 AE	Cassette avant à double-glissière pour accessoires 185x185mm
	CAV600 C	Cassette avant à double-glissière pour accessoires 191x191mm (7-1/2")
2	PCP1716A	Connecteur d'alimentation IEC60309 6h 16A 2P+T bleu (P17)
3	W-DMX	DMX sans fil W-DMX
4	G500	Grille 180x180 mm
5	IWSX755I	Iris avec support (fermeture partielle)
6	VD 120	Verre dépoli intérieur 120x120mm
7	FCD600	Fourche coudée
8	D8	Couteau
9	876	Crochet acier 40 x 10 à vis longueur 28mm pour tube Ø 35 à 50mm
10	880	Crochet acier 40 x 10 à vis longueur 28mm pour tube Ø 50 à 63mm
11	CS2	Câble de sécurité (longueur = 600mm)

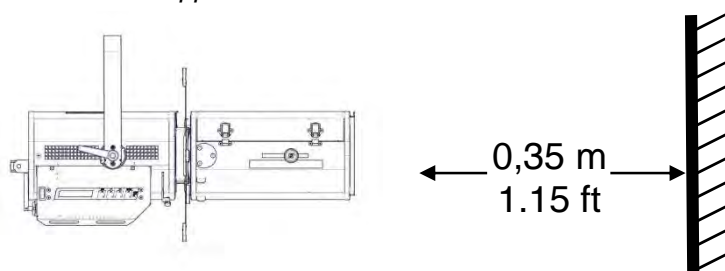
3 Installation

3.1 Mécanique

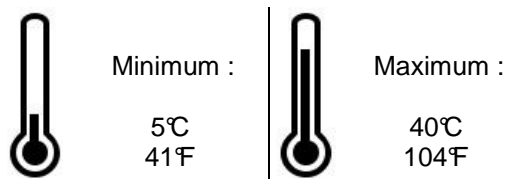
3.1.1 Positions d'utilisation



3.1.2 Distance minimale entre l'appareil et une matière inflammable



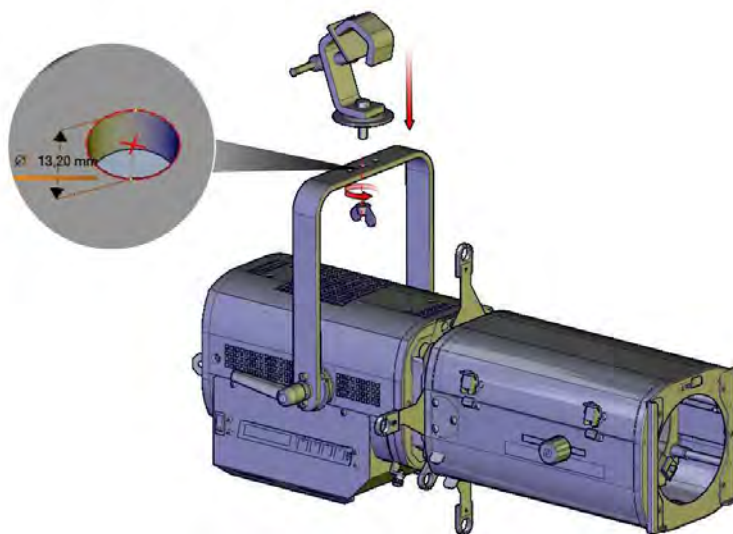
3.1.3 Conditions d'utilisation



Indice de Protection international:
IP20 – Utilisation intérieure uniquement

3.1.4 Suspension

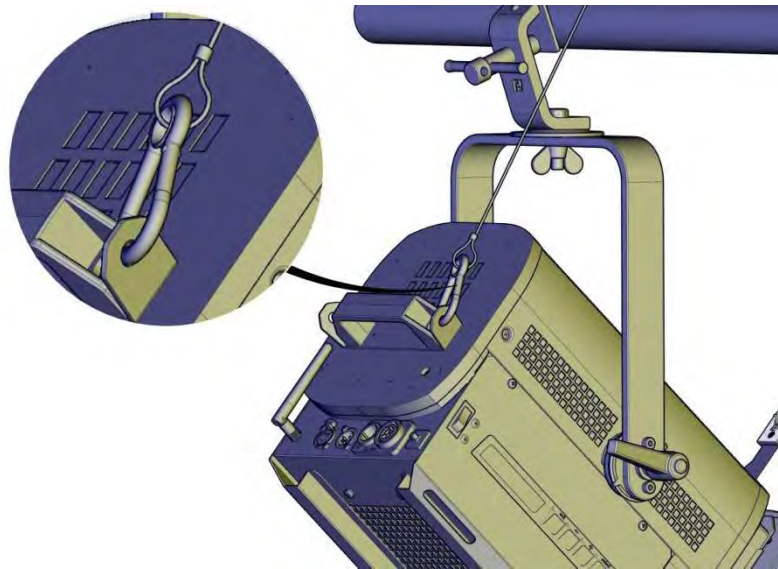
- Veiller à ce que le projecteur soit monté avec un support approprié.



Poids net : 643SX = 15,3 kg (34.7 lbs) / 644SX = 17 kg (37.4 lbs) / 641SX = 17 kg (37.4 lbs)

3.1.5 Câble de sécurité

- En position suspendue (crochet, boulon...), l'appareil doit obligatoirement être assuré par une suspension auxiliaire (élingue, chaîne...) convenablement dimensionnée et ancrée à l'arrière de l'appareil.
- La liaison devra être effectuée au plus court, au besoin avec plusieurs tours si la longueur de l'élingue ou de la chaîne le nécessite.




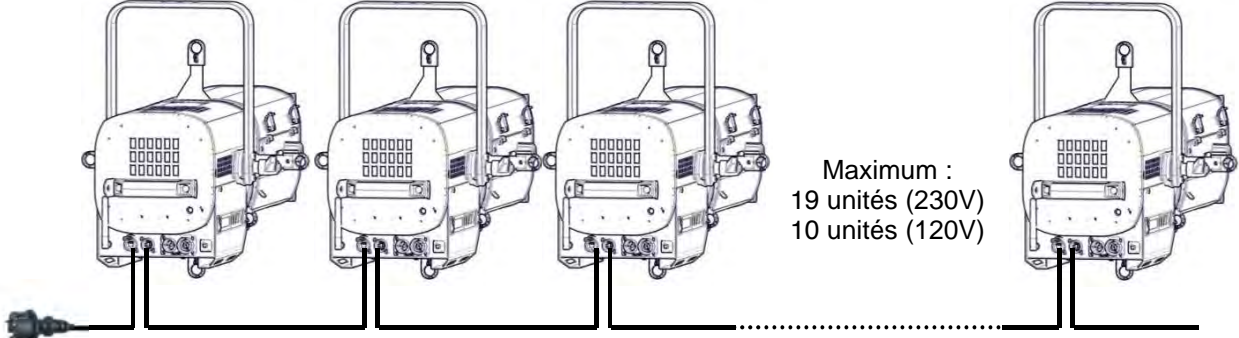
3.2 Electrique

3.2.1 Source LED

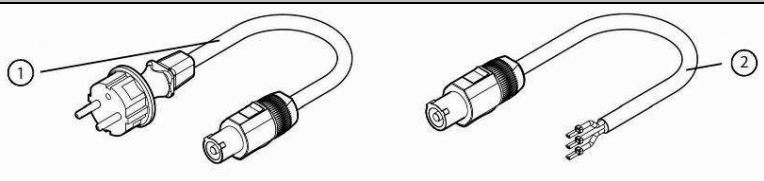


- Ne jamais toucher la surface de la source LED *quel que soit l'objet*
- Ne pas appliquer d'air comprimé directement sur la source
- Contacter un revendeur RJ agréé en cas de saleté, résidu o autre objet sur la surface de la source LED

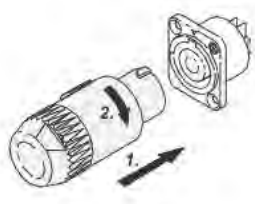
3.2.2 Alimentation

Puissance			
Tension	Fréquence	Puissance d'entrée	Connecteurs
90 → 264 V	47-63 Hz	0,8 A / 185 W @ 230V 1,5 A / 185 W @ 120V 1,8 A / 185 W @ 90V Max. 2.1A Mode veille : 7 W	Neutrik powerCON TRUE1 ref. NAC3PX (max. 20A)
	<ul style="list-style-type: none"> • Matériel de classe 1. Mise à la terre obligatoire. • Doit être raccordé à une alimentation AC. Ne pas raccorder à une source graduable. • Reconnaissance automatique de tension. • Protection thermique individuelle 4A ré-armable. • Sur la même ligne, maximum: 19 unités (230V) / 10 unités (120V) 		
Chaînage (avec corde d'alimentation livré) :			
			
<p>Maximum : 19 unités (230V) 10 unités (120V)</p>			

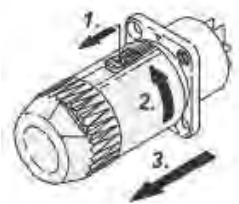
Cordon d'alimentation



Cordon		Connecteur projecteur	Fiche d'alimentation	Câble	Longueur	Câblage
1	Version standard	Neutrik PowerCon® NAC3FX	CEE7/7	3G1.5 H07RNF	3 m 9.8 ft	Phase: marron Neutre: bleu Terre: jaune/vert
2	Version nord-américaine		-	14AWG SJ TYPE (UL/CSA)	1,5 m 4.9 ft	Phase: noir Neutre: blanc Terre : vert

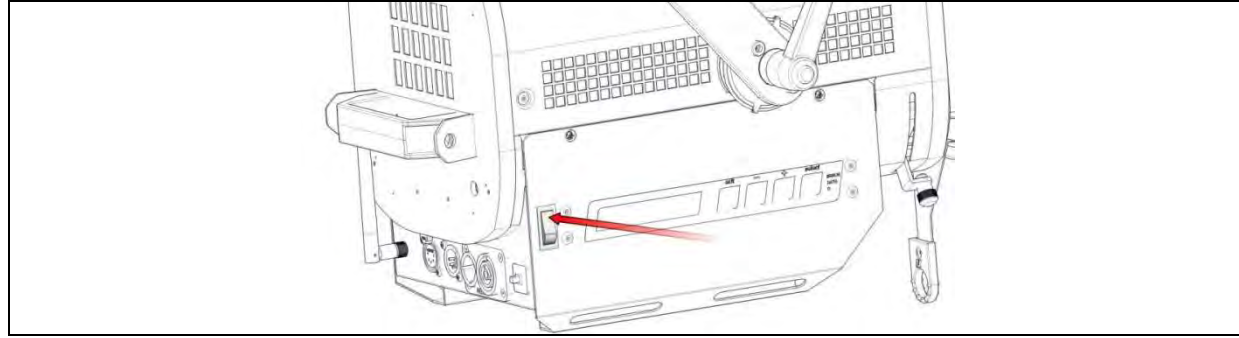


Engagement



Séparation

Mise sous tension

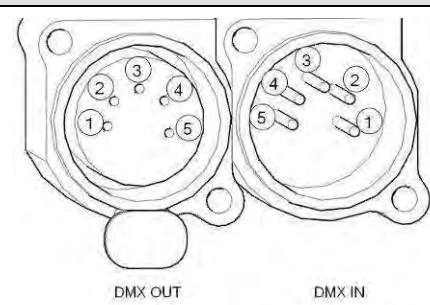


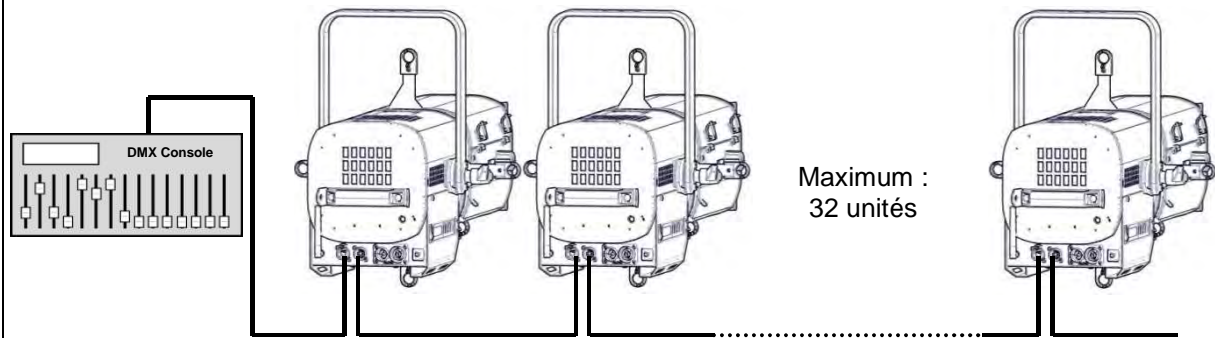
3.2.3 DATA

DATA		
Protocole	Connecteur d'entrée	Connecteur de sortie
USITT DMX 512-A	XLR 5-pin	XLR 5-pin

DATA connectors

PIN #	DMX	Description
1	Masse	Tresse métallique
2	DMX (-)	1 ^{er} conducteur de la paire torsadée 1
3	DMX (+)	2 ^e conducteur de la paire torsadée 1
4	Non utilisé	1 ^{er} conducteur de la paire torsadée 2
5	Non utilisé	2 ^e conducteur de la paire torsadée 2

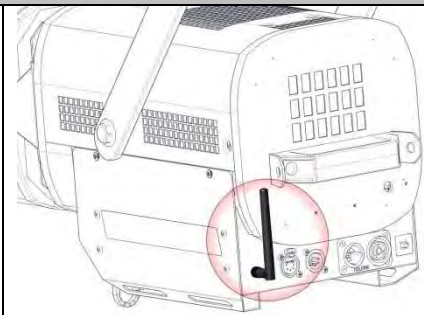
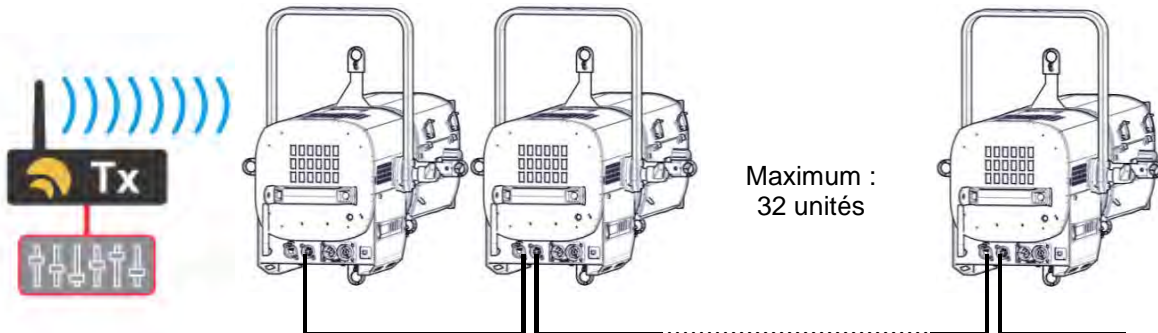


Chaînage:**Bouchon de terminaison incorporé:**

Si aucun connecteur XLR n'est mécaniquement détecté sur la sortie DMX OUT, un bouchon de terminaison (120Ω) est automatiquement activé. Il n'est donc pas nécessaire d'ajouter un bouchon de terminaison sur le dernier appareil.

Option DMX sans fil

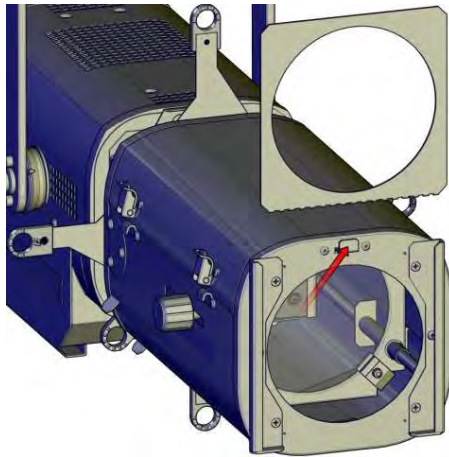
- Protocole: Wireless Solution W-DMX™
- Se référer au manuel d'utilisation du fabricant pour les préconisations générales et l'utilisation de l'émetteur : <http://www.wirelessdmx.com>
- L'antenne doit être si possible visible depuis l'émetteur
- Voir manuel RJ-LED Software pour activation (page FR-17)
- **Ne pas raccorder de câble data DMX IN si utilisation DMX sans fil**
- Si détection d'erreur de protocole, le DMX sans fil est désactivé automatiquement. Pour réactiver le DMX sans fil, déconnecter le câble data DMX IN, éteindre puis rallumer l'appareil

**Mode DMX:**

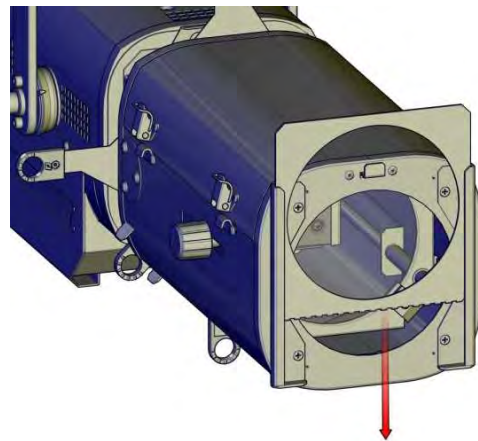
Le premier appareil reçoit le DMX via le réseau sans fil puis les autres appareils sont reliés au premier à l'aide de câble data DMX.

3.3 Accessoires

3.3.1 Porte-filtre avant

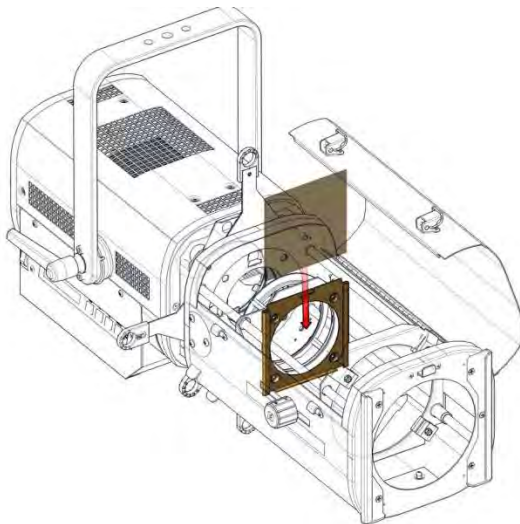


Etape 1

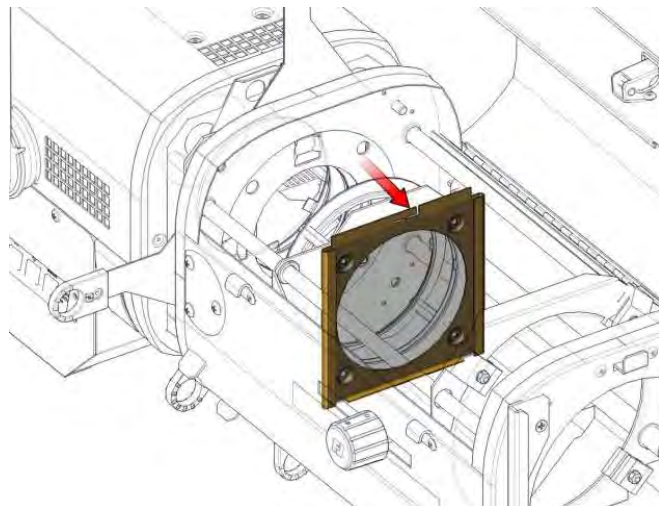


Etape 2

3.3.2 Porte-filtre interieur

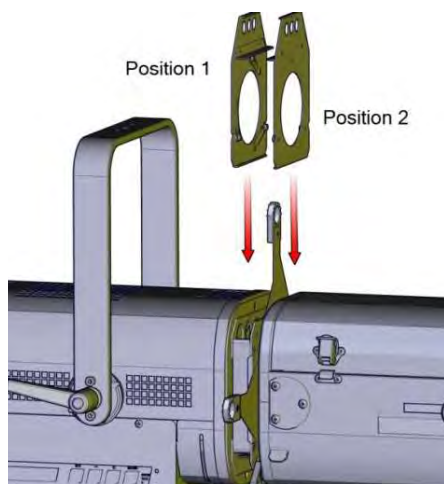


Etape 1

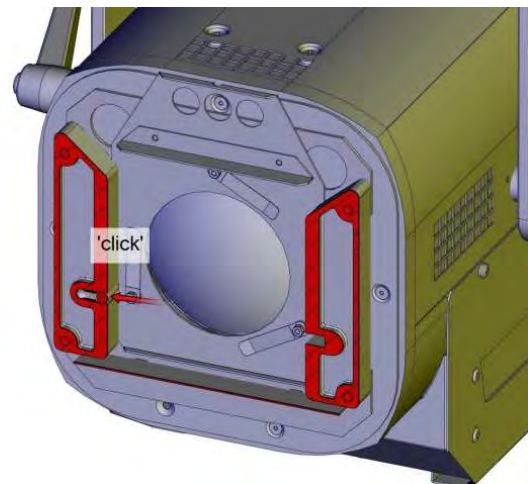


Etape 2

3.3.3 Porte-gobo / iris

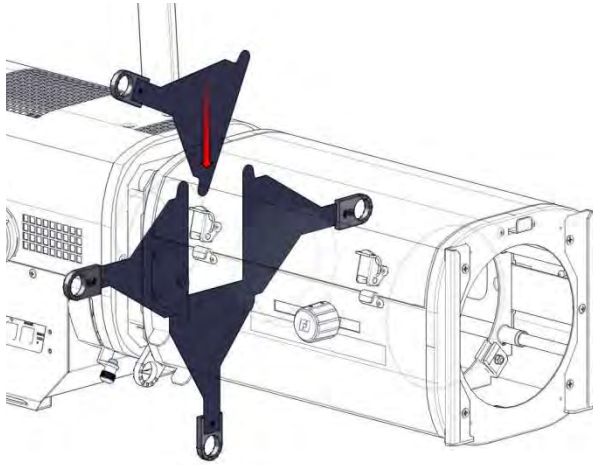


Etape 1

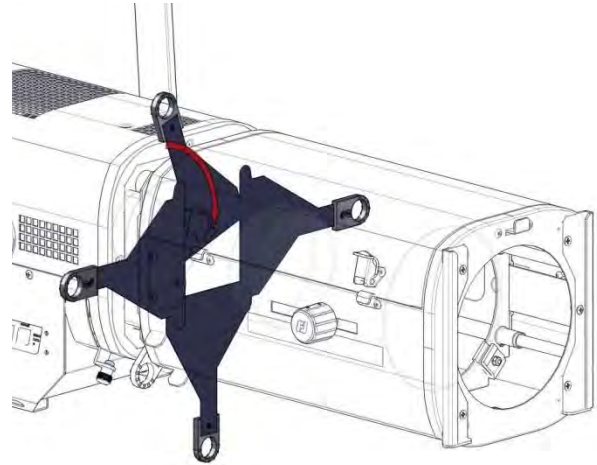


Etape 2

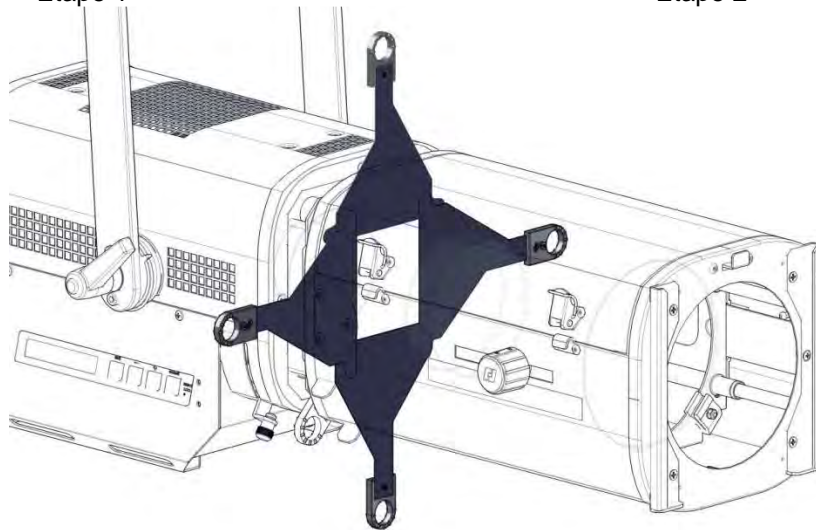
3.3.4 Couteaux



Etape 1



Etape 2



Etape 3

4 Opération

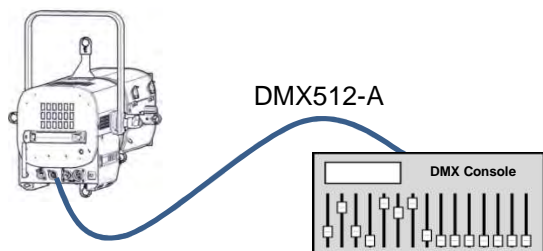
4.1 Intensité lumineuse

4.1.1 Etendue



4.1.2 Contrôle

A distance via le protocole DMX512-A



Localement via le panneau de contrôle



Gestion des commandes en mode HTP :
 Les deux valeurs d'entrée sont comparées, la valeur la plus élevée est retenue

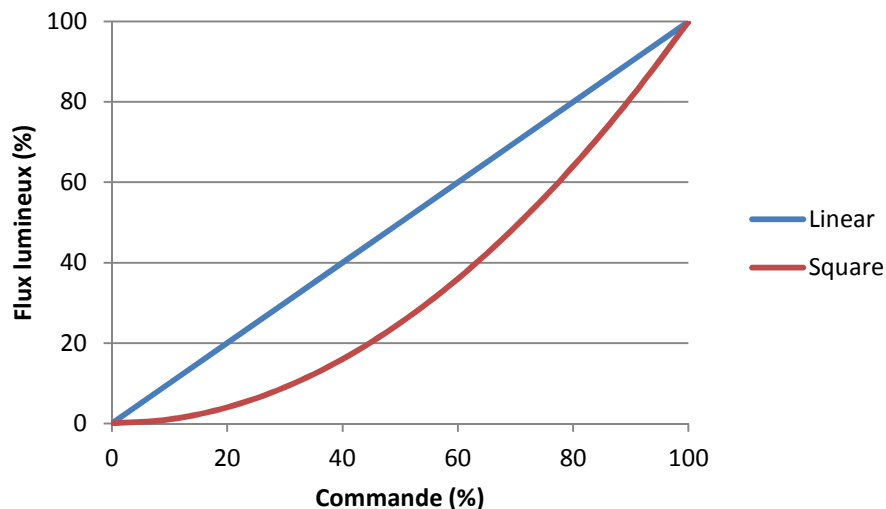
Mode Focus : En écran d'accueil,
 Appui sur *Exit* → Allumage du projecteur à 100% pendant 1 minute
 Second appui sur *Exit* → extinction du projecteur

4.1.3 Paramètres

- Résolution (*RESOLUTION*):

Mode	Résolution
8 bits	255 pas – 1 canal DMX
16 bits	65 535 pas – 2 canaux DMX

- Courbe (*LIGHT CURVE*): Linéaire (*linear*) / Carrée (*square*)



- Lissage (*SMOOTHING*):

Mode	Lissage
<i>Slow</i>	Transitions lentes entre valeurs – simule l’inertie de lampe halogène 1000W
<i>Fast</i>	Transitions rapides entre valeurs – simule l’inertie de lampe halogène 600W
<i>Without</i>	Pas de lissage – Transitions très rapides entre valeurs

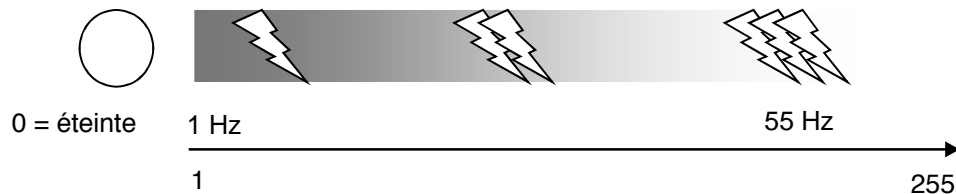
- Master (*MASTER CONTROL*):

DMX		Local	Projecteur
8/16bits	Master		
0 → 100%	100%	0%	0 → 100%
0 → 100%	50%	0%	0 → 50%
0%	100%	0 → 100%	0 → 100%
0%	50%	0 → 100%	0 → 50%
50%	100%	0 → 100%	50 → 100%
30%	80%	0 → 100%	30 → 80%

- ➔ Pour utilisation en local et à distance simultanément
(ex : poursuite avec opérateur)

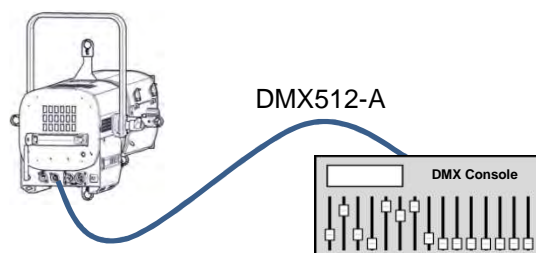
4.2. Stroboscope

4.2.1 Etendue



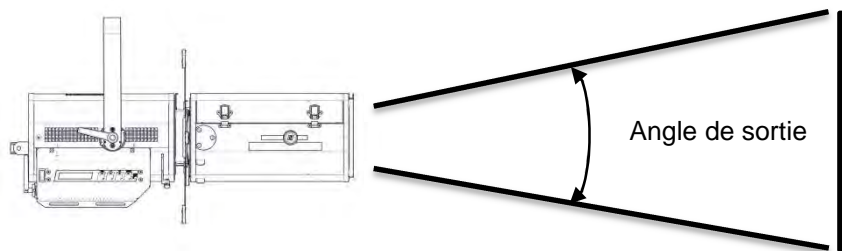
4.2.2 Contrôle

A distance via le protocole DMX512-A



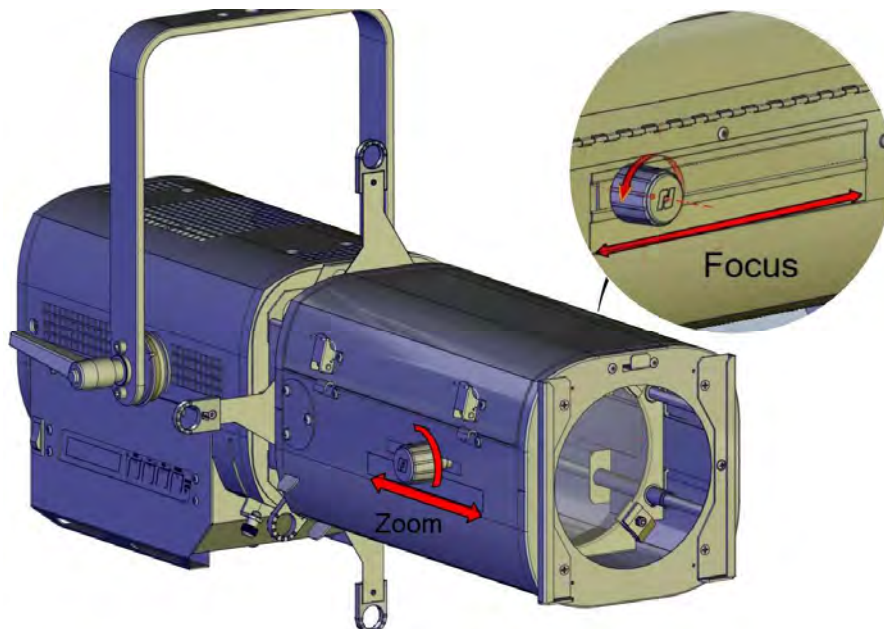
4.3 Ajustement de la taille du faisceau

4.3.1 Etendue



Modèle	Angle de sortie minimal	Angle de sortie maximal
643SX / CSX	28°	54°
644SX / CSX	16°	35°
641SX / CSX	11°	26°

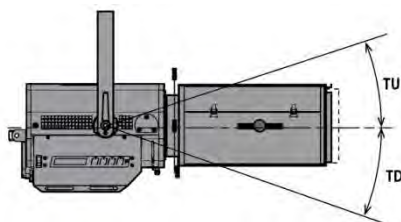
4.3.2 Contrôle



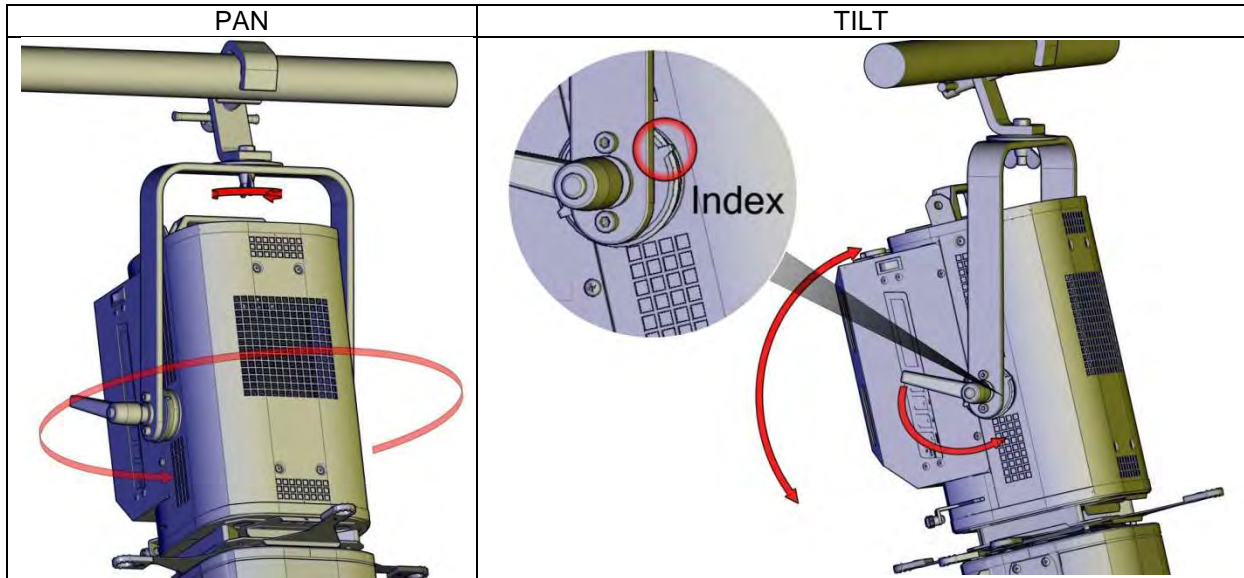
4.4 Orientation

4.4.1 Etendue

Fonction	Etendue
PAN	0 → 360°
TILT	TU = 0 → 60° TD = 0 → 90°



4.4.2 Contrôle



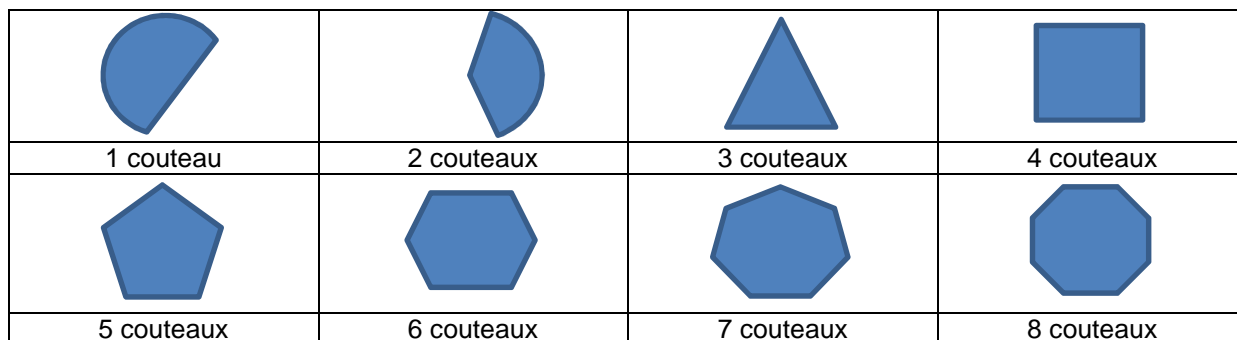
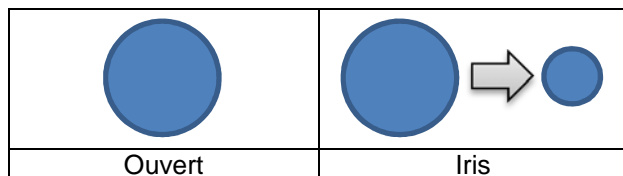
4.5 Couleur

- Couleur fixe:

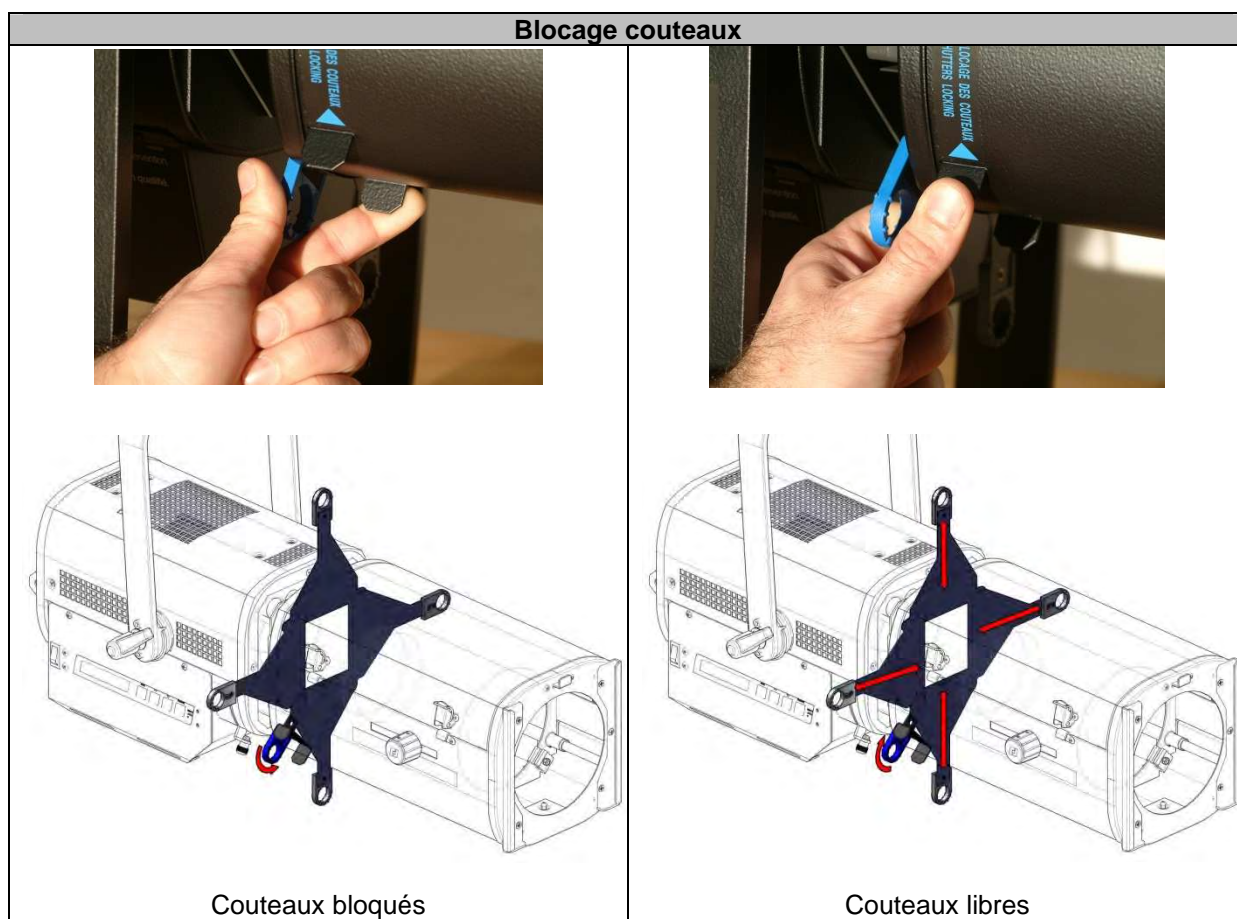
Emplacement		
Type	1. Porte-filtre avant Filtre gélatine couleur ou effet standard	2. Porte-verre intérieur Verre dépoli ou dichroïque Filtre gélatine couleur ou effet standard
Dimensions		
Installation	Cf. 3.3.1	

4.6 Contrôle de la forme du faisceau

4.6.1 Etendue





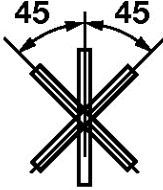
4.6.2 Contrôle



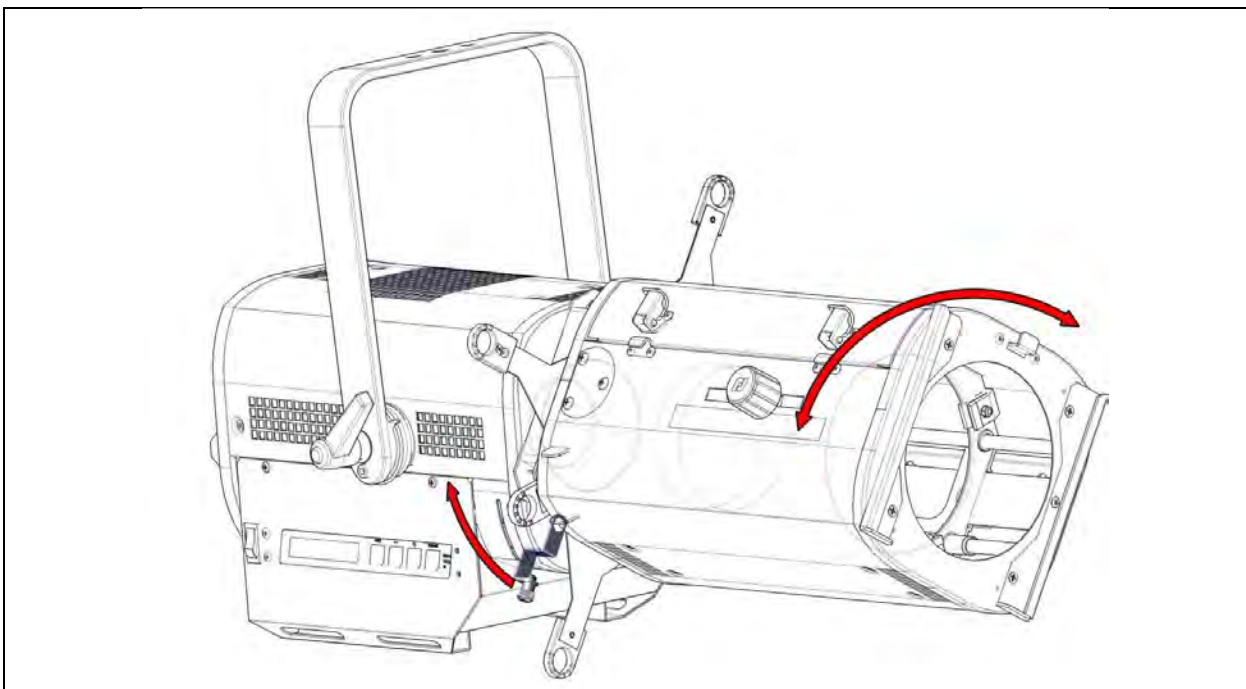
Cf. 3.3 Accessoires pour l'installation des gobos, iris et couteaux additionnels

4.7 Rotation de l'image

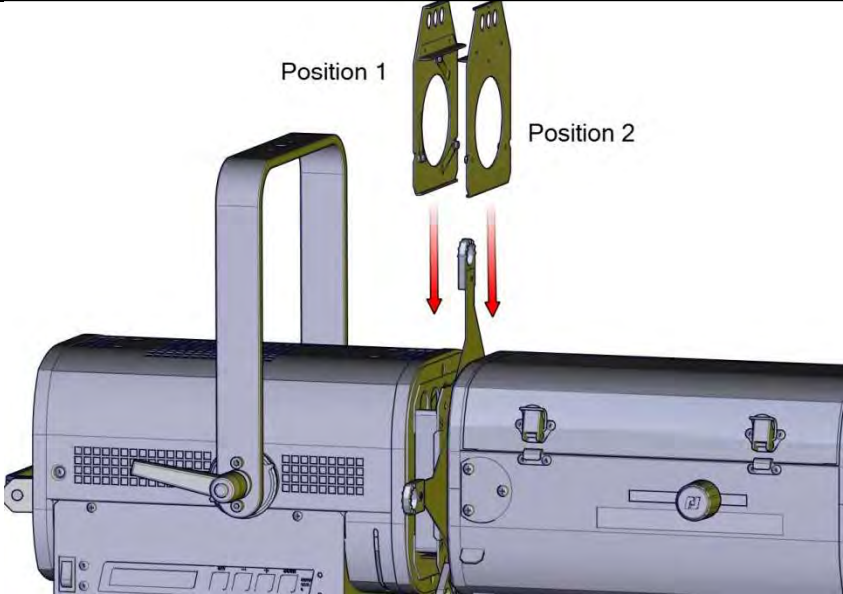
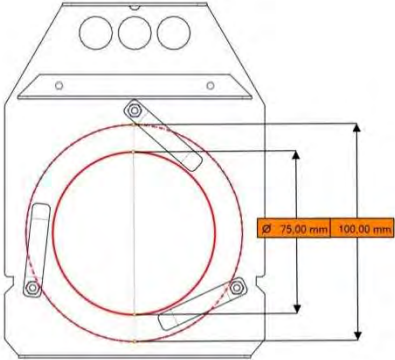
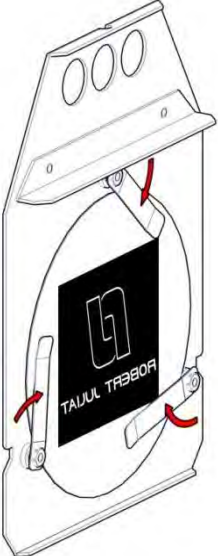
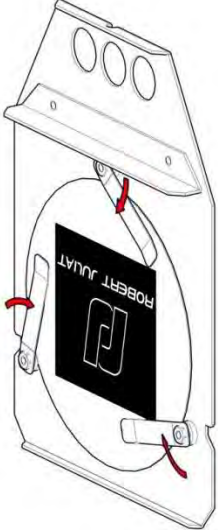
4.7.1 Etendue

Fonction		Etendue
		
Gobo	Couteaux	

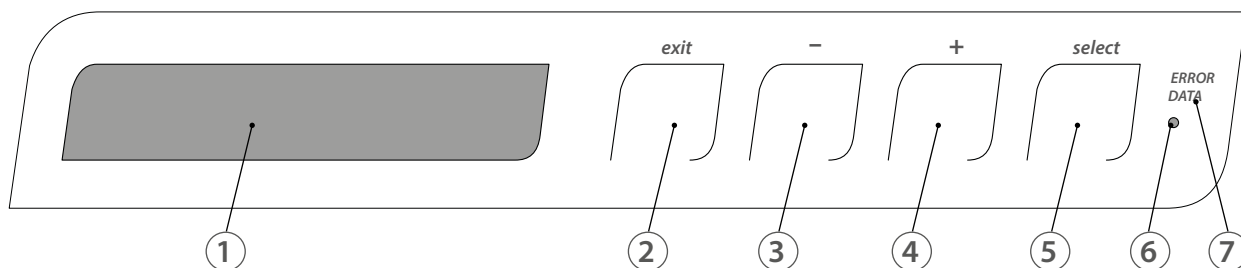
4.7.2 Contrôle



4.8 Gobos

<p>Emplacement</p>		
<p>Type</p>	<p>Métal / Verre / Plastique</p>	
<p>Dimensions</p>	<p>Taille A</p> 	
<p>Installation</p>	<p>Position 1</p> 	<p>Position 2</p> 

4.9.1 Afficheur et touches



Fonction	
1	Afficheur LCD
2	Sortie du menu et/ou retour en arrière
3	Défilement des menus et/ou diminution des valeurs sélectionnées
4	Défilement des menus et/ou augmentation des valeurs sélectionnées
5	Sélection du menu et/ou validation
6	Reset système
7	Voyants d'état système et data

4.9.2 Menus et paramètres

Veillez scanner ce QR-Code pour le menu du logiciel ou aller à :
www.robertyuliat.fr/ChercheProduits.html pour trouver la dernière version disponible



4.9.3 Charte DMX


Mode	Théâtre	Studio	Poursuite	DMX Direct (blanc variable)
DMX canel				
1	Gradation (8 bit)	Gradation (Coarse - 8 bit)	Gradation (Coarse - 8 bit)	WW (Coarse - 8 bit)
2		Gradation (Fine - 16 bit)	Gradation (Fine - 16 bit)	WW (Fine - 16 bit)
3		CCT 0 → 255 : WW → CW	CCT 0 → 255 : WW → CW	CW (Coarse - 8 bit)
4		Stroboscope 0 : OFF ; 1 → 255 : SLOW → FAST	Stroboscope 0 : OFF ; 1 → 255 : SLOW → FAST	CW (Fine - 16 bit)
5			Master 0 → 255 : 0 → 100% (FULL)	Stroboscope 0 : OFF ; 1 → 255 : SLOW → FAST

4.9.4

Retour vers les paramètres par défaut :

Menu: FIXTURE RESET (réinitialisation) → bouton Select → YES → bouton Select pour validation

4.9.5 Retour information

- *Voyant d'état système et data (7):*
 - > Vert = Signal DMX512 détecté.
 - > Rouge = Problème sur le signal DMX512 reçu et/ou défaut système.
Détails disponibles dans le statut de l'appareil.
- *En cas de perte du signal DMX, le message suivant s'affiche:*
“Push select to reset DMX values”
Les dernières valeurs DMX reçues sont conservées en mémoire mais il est possible en pressant la touche Select de désactiver toutes les valeurs en cours (ainsi que la fonction Master) afin d'avoir un contrôle total du projecteur en local. Dès détection du signal DMX, ce dernier redevient maître.
- Signal  de présence de DMX sans fil :

Signal	Information
Eteint – pas de symbole	Le projecteur n'est pas appairé à un transmetteur
Affichage discontinu lent	Le projecteur est appairé à un transmetteur mais le signal DMX n'est pas détecté
Affichage continu	Le projecteur est appairé à un transmetteur et le signal DMX est détecté
Affichage discontinu rapide	Perte de la liaison avec le transmetteur ou en liaison avec le transmetteur

5 Maintenance

5.1 Maintenance préventive

5.1.1 Fréquence

Une maintenance générale doit être effectuée au minimum une fois par an et plus si le produit est utilisé dans des conditions d'utilisations « difficiles » (fumée, humidité, chaleur, tournée, etc.).

5.1.2 Nettoyage général

Enlever la poussière du produit (conduits de ventilation, circuits imprimés, etc.).



Pendant la phase de nettoyage :

- La source LED est protégé par un verre de sécurité pour éviter tout contact.
NE PAS pulvériser directement sur le verre.
- Le ventilateur doit être bloqué en rotation.

Cf. 5.1.4 Démontage de la trappe LED pour avoir accès au ventilateur et à la source LED.

5.1.3 Vérification visuelle générale

- Pas de trace de chaleur.
- Pas de jeu dans les contacts.
- Pas de pièces manquantes.
- Vérifier le serrage de toutes les pièces mécaniques (vis, écrous, mise à la terre, etc).

5.1.4 Démontage de la trappe LED

- Déconnexion de l'alimentation obligatoire avant toute intervention. Les connecteurs d'alimentations ont des pièces nues sous tension.
- La trappe est maintenue par 4 vis.
- La trappe doit être retirée / insérée en position verticale en prenant soin de ne pas heurter le verre de protection ainsi que son connecteur d'alimentation.
- La tresse de mise à la terre doit être déconnectée.

5.1.5 Source LED



- **Ne jamais toucher la surface de la source LED (quel que soit l'objet)**
- **Ne pas appliquer d'air comprimé directement sur la source**
- **Contacter un revendeur RJ agréé en cas de saleté, résidu ou autre objet sur la surface de la source LED**

5.1.6 Optique

Le nettoyage des éléments optiques (lentilles) s'effectue avec des nettoyeurs à base d'alcool spécifique pour optique informations suivantes :

5.2 Analyse

Si le problème persiste après avoir suivi la procédure de dépannage (Cf. 6.), veuillez contacter un revendeur RJ agréé avec les informations suivantes :

- Modèle, version et numéro de série du produit.
- Version programme (disponibles dans le statut de l'appareil -> Version).
- Description du problème.

5.3 Réaction de la source LED suivant sa température

Température LED	Ventilateur
5°C → 65°C	Ventilation au minimum.
65°C → 75°C	La vitesse du ventilateur augmente progressivement.
75°C → 90°C	Ventilation au maximum. La puissance de la source LED est réduite progressivement afin de la protéger contre les risques de surchauffe. Le voyant d'état système et data est allumé en rouge.

5.4 Protection thermique

En cas de déclenchement de la protection thermique ☹:

- Démontez la trappe LED (Cf. 5.1.4 Démontage de la trappe LED)
- Vérifier les éventuelles traces de surchauffe
- Remonter la trappe LED
- Réenclencher la protection thermique en appuyant dessus

5.5 Réglage du niveau maximal de sortie

L'intensité maximale de la source LED peut être ajustée dans le réglage de l'appareil afin d'homogénéiser un parc de projecteurs. La plage de gradation est alors recalculée en tenant compte de la limitation.

5.6 Nomenclature / Pièces détachées

→ Disponible sur www.robertjuliat.fr

6 Dépannage

SYMPTOMES		CAUSES POSSIBLES	SOLUTIONS	
Afficheur éteint	L'afficheur s'allume lorsqu'une touche est pressée	La fonction d'extinction automatique de l'afficheur est activée - AUTO-OFF	Vérifier la fonction AUTO-OFF dans le réglage de l'appareil	
	L'afficheur ne s'allume jamais	Le projecteur n'est pas alimenté	Vérifier : <ul style="list-style-type: none"> • l'alimentation • la protection thermique • le bon enclenchement du connecteur d'alimentation 	
Voyant d'état système et data ⑦ allumé en rouge		Problème sur le signal DMX512 reçu et/ou défaut système - détails disponibles dans le menu	Détails de panne disponibles dans le réglage de l'appareil	
Impossible de contrôler l'appareil par DMX (DMX sans fil inactif)	Voyant data ⑦ allumé rouge	Problème de protocole DMX	Vérifier le signal data	Le protocole data reçu peut être vérifié dans le réglage DMX
		Problème de câblage data	Vérifier le câblage et connecteurs data	
	Voyant data ⑦ allumé vert	Adresse DMX	Vérifier l'adresse DMX	
		Le stroboscope est actif et la valeur sur le canal du stroboscope est nulle	La valeur doit être à 0 pour pouvoir faire varier l'intensité lumineuse du projecteur	
Lors de l'utilisation de plusieurs unités, la gradation n'est pas synchronisée		<i>Résolution</i> différente	Toutes les unités doivent avoir le même mode	
		<i>Lissage</i> différent		
		<i>Courbe</i> différente		
Le projecteur s'allume automatiquement lorsque le projecteur est branché		Une valeur manuelle est active lorsque le DMX n'est pas détecté	La valeur locale dans <i>Local values</i> doit être à zéro	
Le projecteur s'allume lors de l'utilisation du panneau de contrôle		Utilisation du mode focus	Cf. 4.1.2	
Le stroboscope ne fonctionne pas		Fonction inactive	Vérifiez que le mode sélectionné permet la fonction stroboscope	
		Fonction active	L'intensité lumineuse doit être supérieure à zéro	